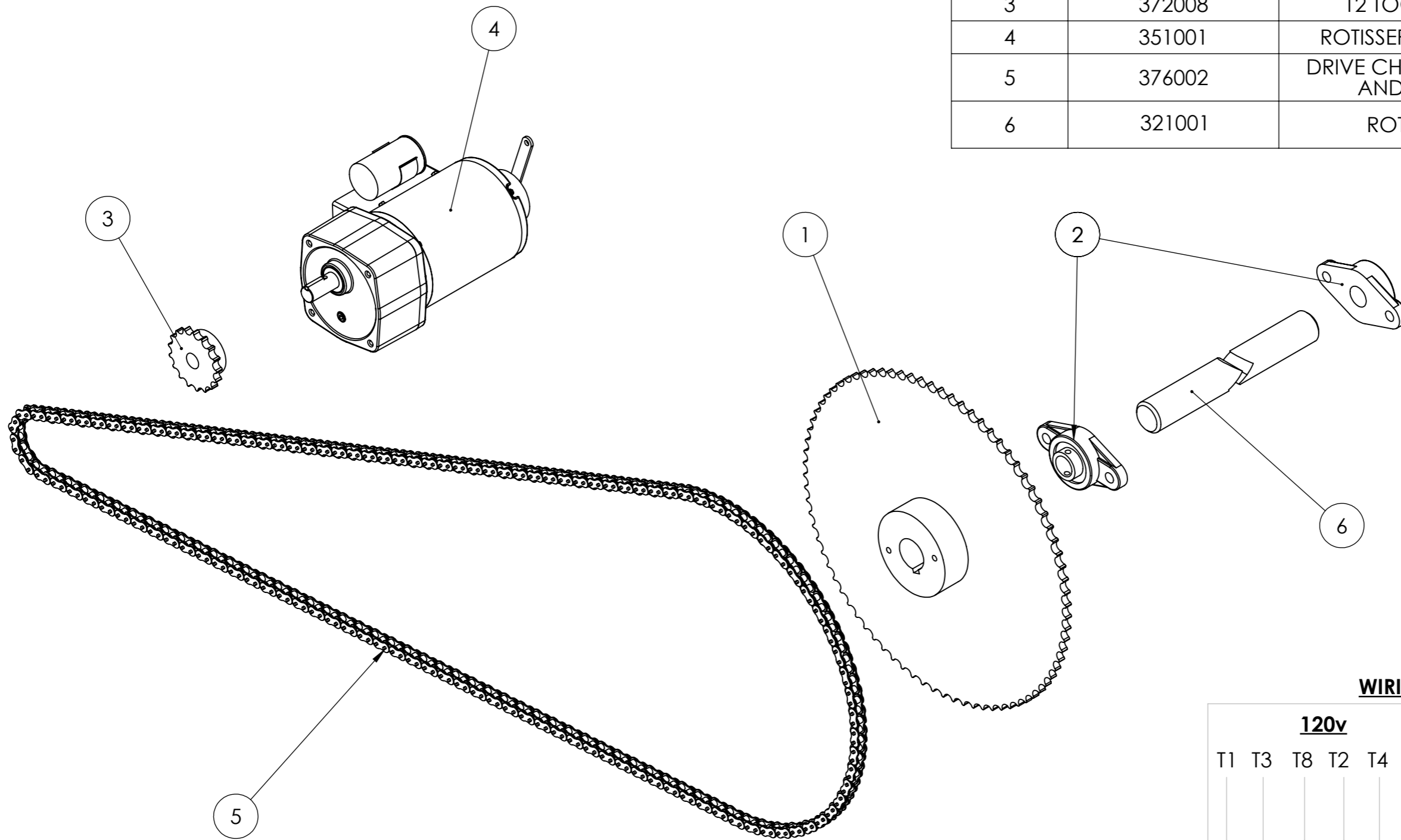
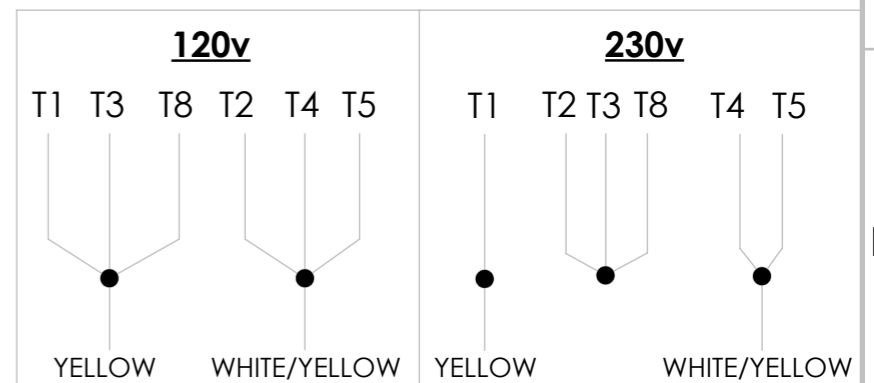


ITEM NO.	PART NUMBER	DESCRIPTION	Default/ QTY.
1	372012	80 TOOTH SPROCKET	1
2	331001	FLANGE BEARING (1")	2
3	372008	12 TOOTH SPROCKET	1
4	351001	ROTISSERIE DRIVE MOTOR	1
5	376002	DRIVE CHAIN KIT #40 CHAIN AND MASTER LINK	1
6	321001	ROTISSERIE AXLE	1



WIRING DIAGRAM



Refer to Sevice Bulletin SP2017-003 for set screw and key stock sizes.



PROPRIETARY AND CONFIDENTIAL
 THE INFORMATION CONTAINED IN THIS DRAWING IS THE SOLE PROPERTY OF SOUTHERN PRIDE DISTRIBUTING, LLC. ANY REPRODUCTION IN PART OR AS A WHOLE WITHOUT THE WRITTEN PERMISSION OF SOUTHERN PRIDE DISTRIBUTING, LLC IS PROHIBITED

Southern Pride Distributing, LLC
 401 S. Mill Street
 Alamo, TN 38001
 Ph: 731-696-3175
 Fax: 731-696-3180

MATERIAL:
 FINISH:

TITLE: DRIVE SYSTEM ASSEMBLY		DWG NO. SPExpI-R007		REV A
MODEL: SPX-300	S/N: ALL			
UNLESS OTHERWISE SPECIFIED: DIMENSIONS ARE IN INCHES TOLERANCES LINEAR: +/- 0.005" ANGULAR: +/- 0.1°		SCALE: 1:3	DRAWN BY: DAVE LEWSADER	DATE: 8/30/2017
DO NOT SCALE DRAWING		SHEET 1 OF 1		