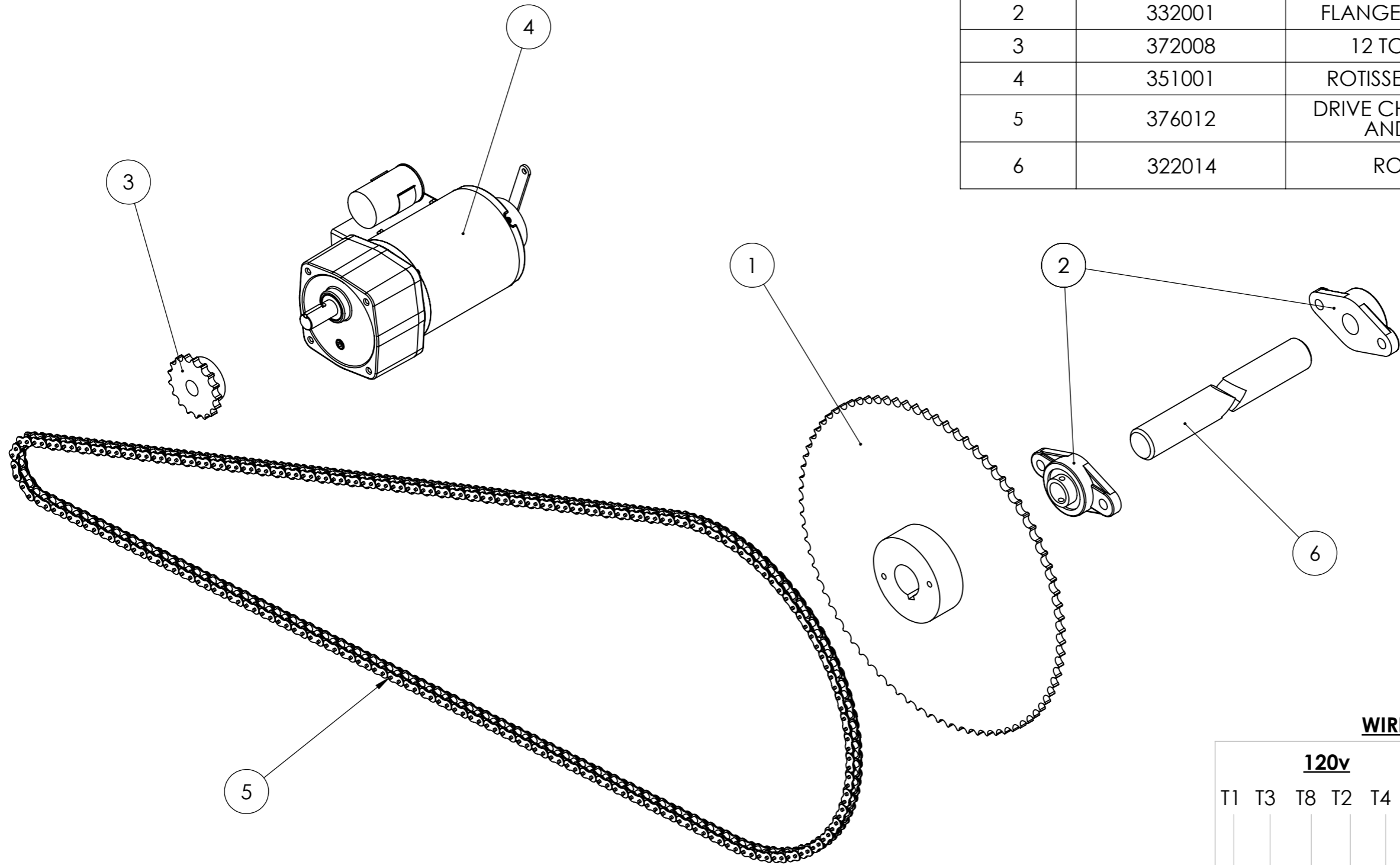
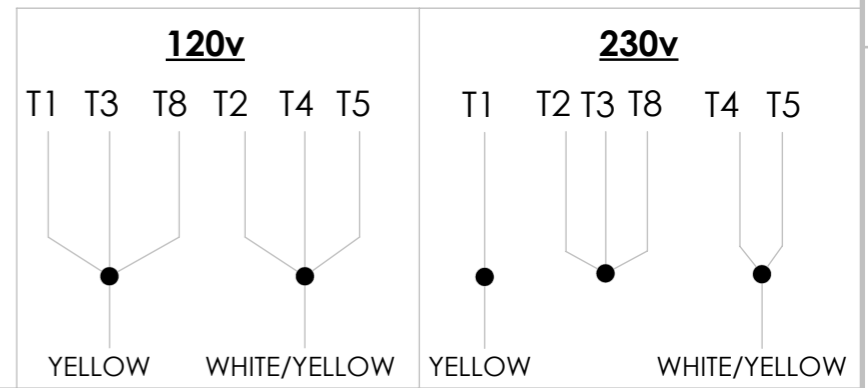


ITEM NO.	PART NUMBER	DESCRIPTION	Default/ QTY.
1	372011	80 TOOTH SPROCKET	1
2	332001	FLANGE BEARING (1 3/16")	2
3	372008	12 TOOTH SPROCKET	1
4	351001	ROTISSERIE DRIVE MOTOR	1
5	376012	DRIVE CHAIN KIT #40 CHAIN AND MASTER LINK	1
6	322014	ROTISSERIE AXLE	1



WIRING DIAGRAM



Refer to Service Bulletin SP2017-003 for set screw and key stock sizes.



PROPRIETARY AND CONFIDENTIAL
 THE INFORMATION CONTAINED IN THIS DRAWING IS THE SOLE PROPERTY OF SOUTHERN PRIDE DISTRIBUTING, LLC. ANY REPRODUCTION IN PART OR AS A WHOLE WITHOUT THE WRITTEN PERMISSION OF SOUTHERN PRIDE DISTRIBUTING, LLC IS PROHIBITED.

Southern Pride Distributing, LLC
 401 S. Mill Street
 Alamo, TN 38001
 Ph: 731-696-3175
 Fax: 731-696-3180

TITLE: DRIVE SYSTEM ASSEMBLY	
MODEL: SPK-500	S/N: K5001207 TO PRESENT
UNLESS OTHERWISE SPECIFIED: DIMENSIONS ARE IN INCHES TOLERANCES LINEAR: +/- 0.005" ANGULAR: +/- 0.1°	SIZE A3
DWG NO. SPEXpl-R006	
DO NOT SCALE DRAWING	SCALE: 1:3
DRAWN BY: DAVE LEWSADER	DATE: 8/29/2017
SHEET 1 OF 1	