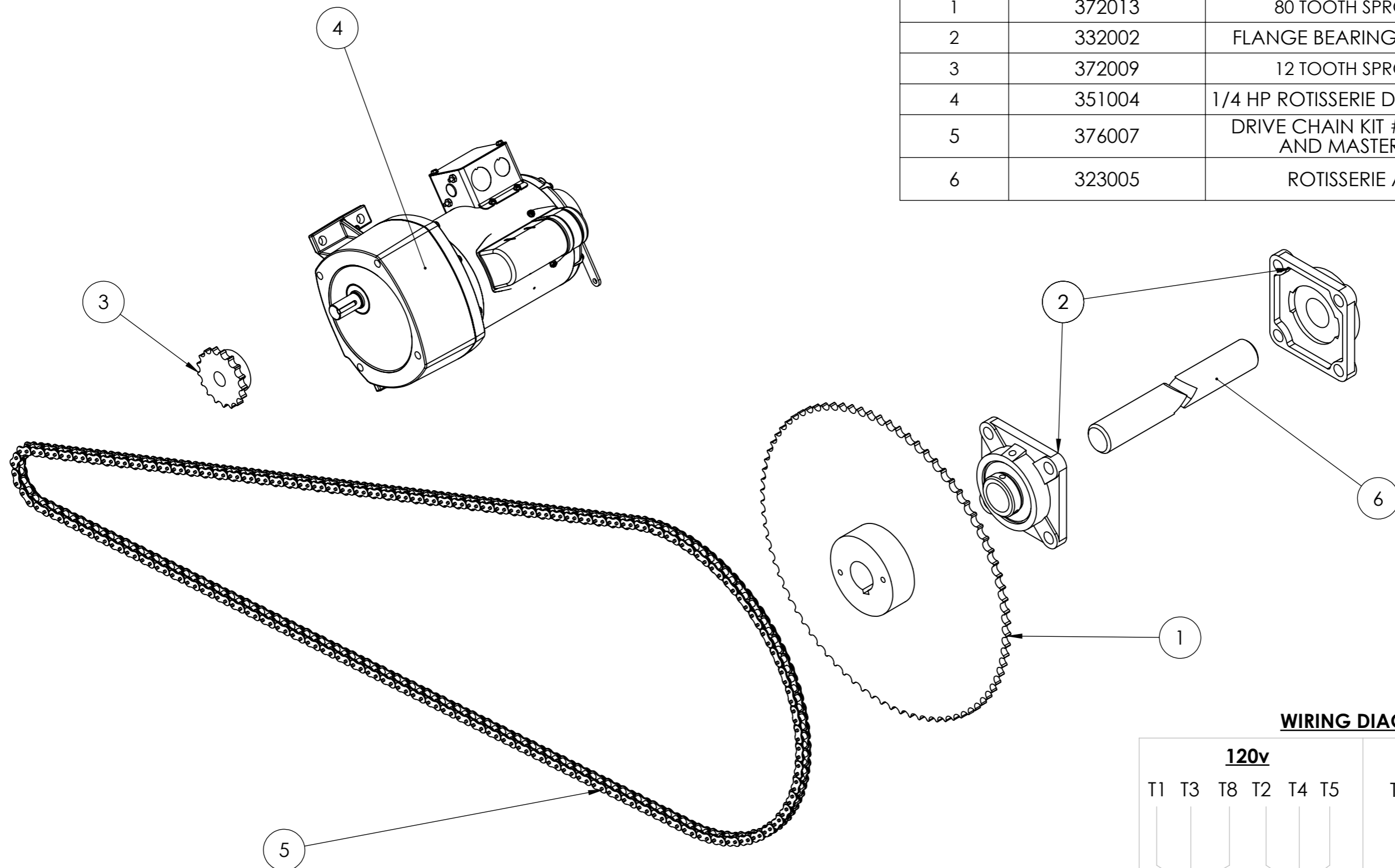
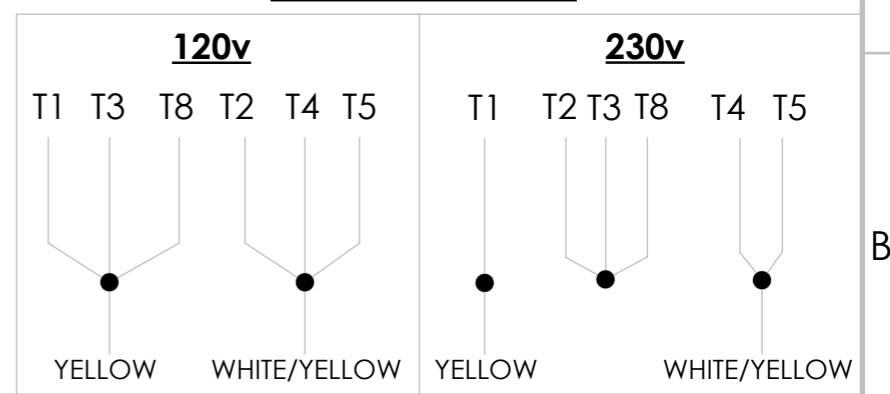


ITEM NO.	PART NUMBER	DESCRIPTION	QTY.
1	372013	80 TOOTH SPROCKET	1
2	332002	FLANGE BEARING 1.5" BORE	2
3	372009	12 TOOTH SPROCKET	1
4	351004	1/4 HP ROTISSERIE DRIVE MOTOR	1
5	376007	DRIVE CHAIN KIT #50 CHAIN AND MASTER LINK	1
6	323005	ROTISSERIE AXLE	1



WIRING DIAGRAM



Refer to Sevice Bulletin SP2017-003 for set screw and key stock sizes.



PROPRIETARY AND CONFIDENTIAL
 THE INFORMATION CONTAINED IN THIS DRAWING IS THE SOLE PROPERTY OF SOUTHERN PRIDE DISTRIBUTING, LLC. ANY REPRODUCTION IN PART OR AS A WHOLE WITHOUT THE WRITTEN PERMISSION OF SOUTHERN PRIDE DISTRIBUTING, LLC IS PROHIBITED

Southern Pride Distributing, LLC
 401 S. Mill Street
 Alamo, TN 38001
 Ph: 731-696-3175
 Fax: 731-696-3180

TITLE: DRIVE SYSTEM ASSEMBLY	
MODEL: SPK-1000	S/N: K1000329 TO PRESENT
UNLESS OTHERWISE SPECIFIED: DIMENSIONS ARE IN INCHES TOLERANCES LINEAR: +/- 0.005" ANGULAR: +/- 0.1°	SIZE A3
DWG NO. SPExpI-R003	REV A
DO NOT SCALE DRAWING	SCALE: 1:3
DRAWN BY: DAVE LEWSADER	DATE: 8/29/2017
SHEET 1 OF 1	