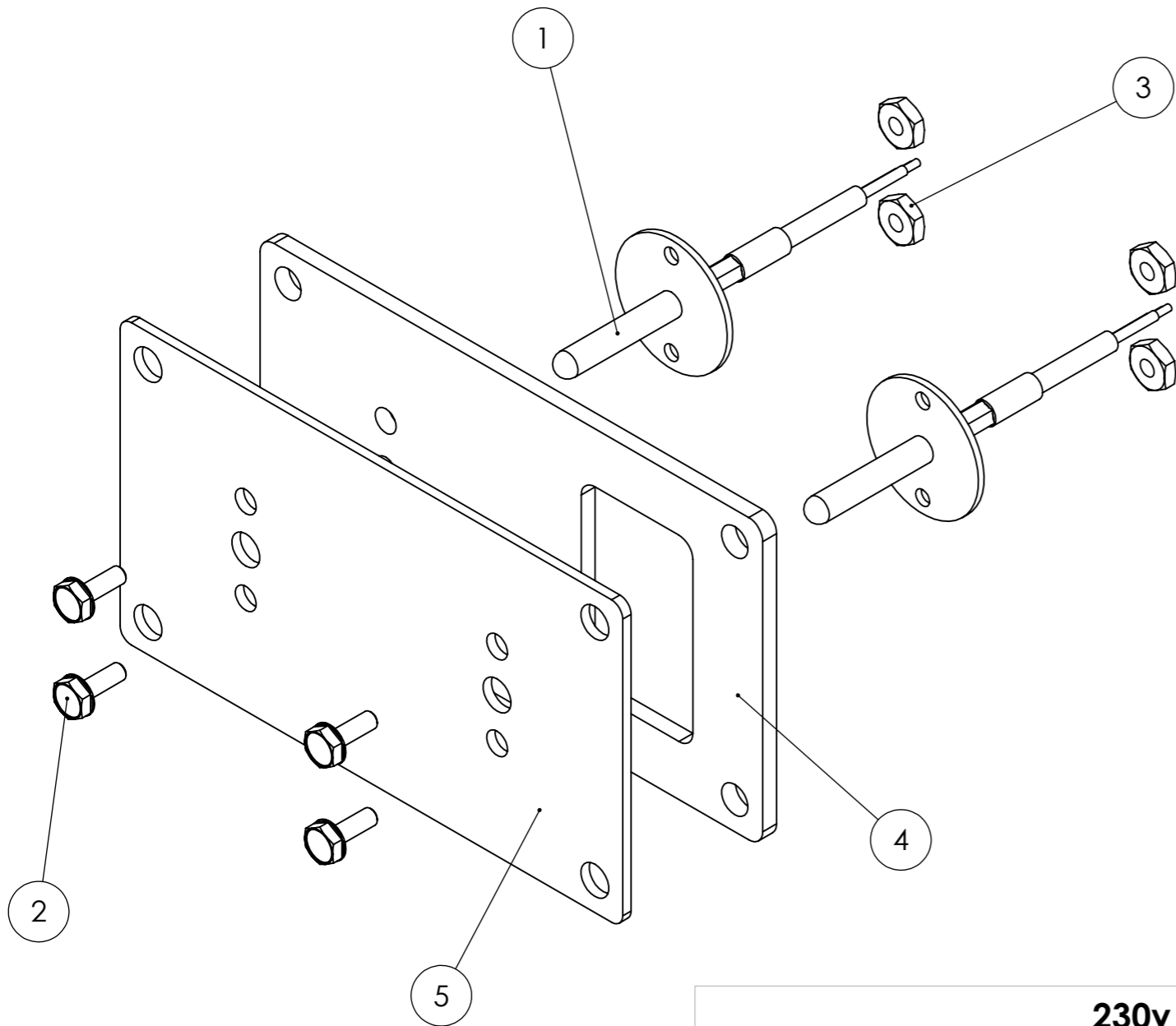


ITEM NO.	PART NUMBER	DESCRIPTION	QTY.
1	435001	1" THERMOCOUPLE "K" TYPE	2
2	724501	6-32 X 3/8" HWH MS SS	4
3	740501	6-32 SS HEX NUT	4
4	073040	GASKET	1
5	425508	DOUBLE T/C MOUNTING PLATE	1



**230v WIRING**

**HI-LIMIT THERMOCOUPLE**

RED ● POSITION 3 OF HIGH LIMIT  
 YELLOW ● POSITION 4 OF HIGH LIMIT

**THERMOCOUPLE**

RED ● POSITION 2 OF THERMOCOUPLE CONNECTOR ON CONTROL  
 YELLOW ● POSITION 1 OF THERMOCOUPLE CONNECTOR ON CONTROL

MODELS: MLR-150 S/N: R1500173 TO PRESENT  
 SPX-300 S/N: X3000839 TO PRESENT  
 SPK-500 S/N: K5001207 TO PRESENT  
 SP-700 S/N: P7000176 TO PRESENT  
 MLR-850 S/N: R8500067 TO PRESENT  
 SPK-1000 S/N: K1000329 TO PRESENT  
 SPK-1400 S/N: K14A0001 TO PRESENT



**PROPRIETARY AND CONFIDENTIAL**  
 THE INFORMATION CONTAINED IN THIS DRAWING IS THE SOLE PROPERTY OF SOUTHERN PRIDE DISTRIBUTING, LLC. ANY REPRODUCTION IN PART OR AS A WHOLE WITHOUT THE WRITTEN PERMISSION OF SOUTHERN PRIDE DISTRIBUTING, LLC IS PROHIBITED

**Southern Pride Distributing, LLC**  
 401 S. Mill Street  
 Alamo, TN 38001  
 Ph: 731-696-3175  
 Fax: 731-696-3180

TITLE:  
 #493014 230v HI-LIMIT THERMOCOUPLE ASSEMBLY

UNLESS OTHERWISE SPECIFIED: DIMENSIONS ARE IN INCHES TOLERANCES LINEAR: +/- 0.005" ANGULAR: +/- 0.1°	SIZE A3	DWG NO. SPExpl-E201	REV
	MATERIAL:	SCALE: 1:2	DO NOT SCALE DRAWING
FINISH:	DRAWN BY: DAVE LEWSADER	DATE: 4/14/2017	SHEET 1 OF 1