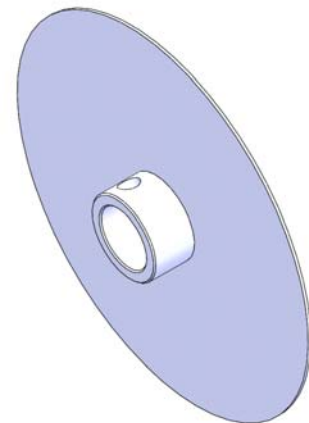


Products: 533001 (5/8" bore) & 533002 (1/2" bore) - Heat Sink Fan Discs
Serial Range: N/A
Release Date: February 2018

Heat Sink Fan Disc

When replacing the convection fan motor it is important to also replace, or reuse, the heat sink fan disc. The disc helps dissipate the heat from the smoker's cabinet before it reaches the convection fan motor resulting in a longer life span for the motor. The disc will now ship with the convection fan motors listed below when a replacement motor is purchased. The disc will be shipped loose and should be installed with the flat of the disc facing the motor.

Disc	Motor	Application
533002	521003	YK Series
533002	521006	DH-65, SC-200, SC-600
533001	522002	Gas Rotisserie (reversed rotation)
533001	522004	Gas Rotisserie
533002	522005	120v SRG-400 2-speed
533002	522008	230v SRG-400 1-speed
533002	522009	120v SRG-400 1-speed



Heat Sink Fan Disc

Additional Comments:

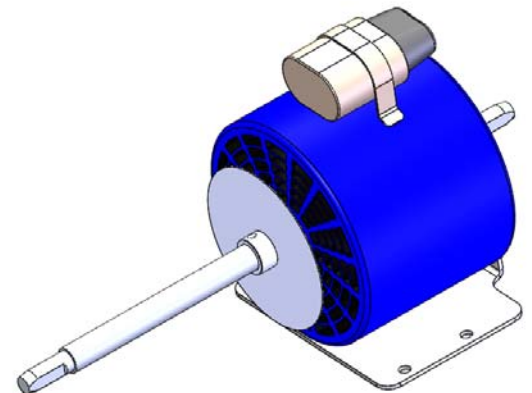
The list price of each convection fan motor will increase by the list price of the heat sink fan disc.

Secondary Distribution:

Service technicians within the Distributor's organization.
 Service companies.

For Additional Information:

Southern Pride Technical Support: (800) 437-2679



Disc Installed on Motor