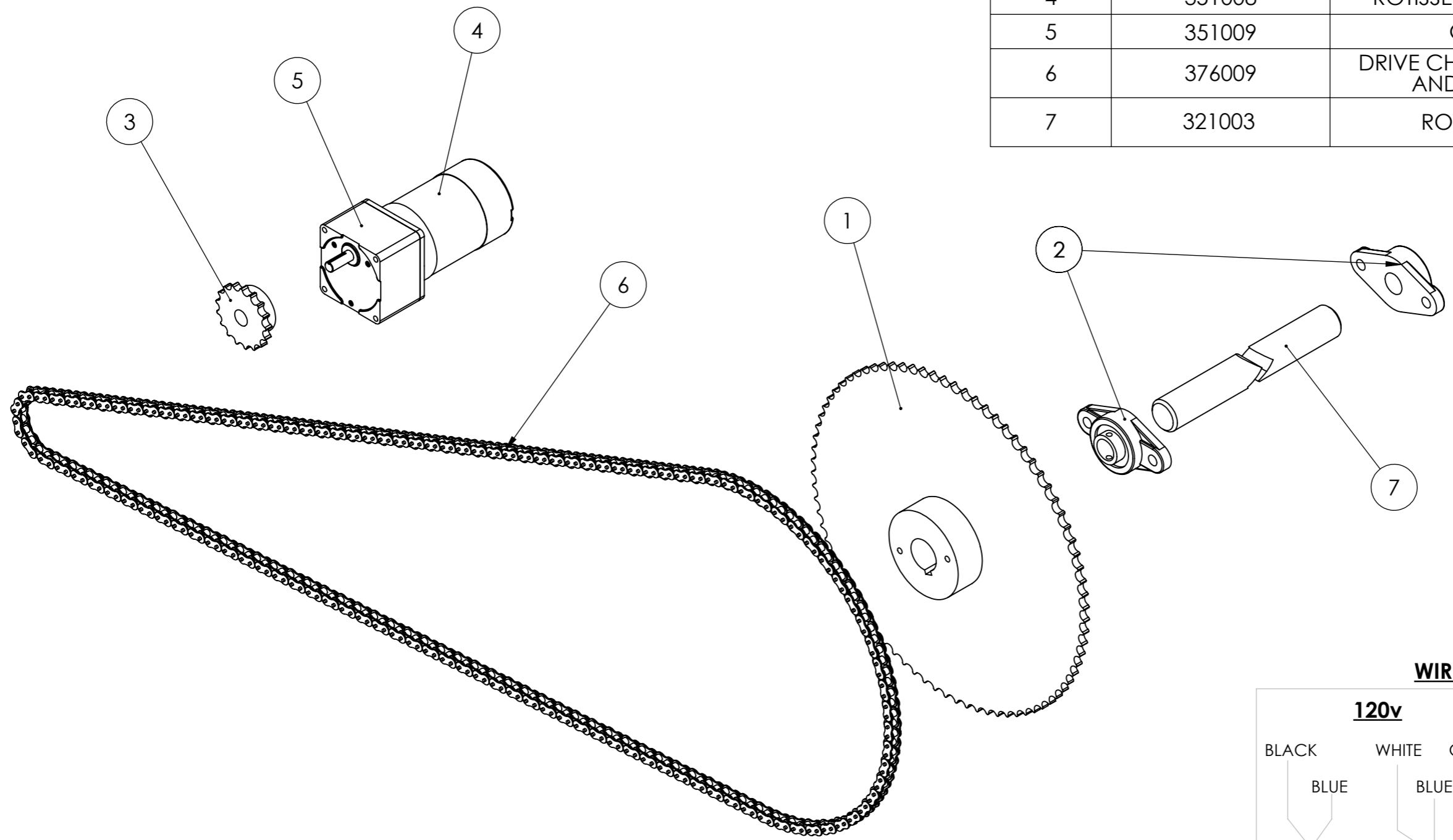
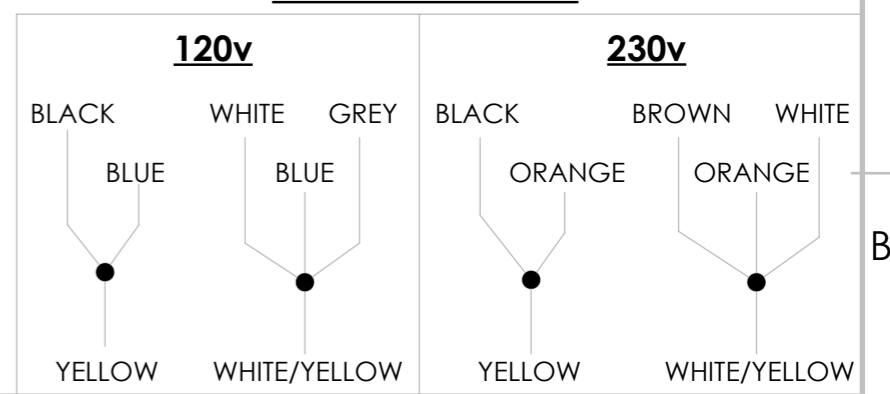


ITEM NO.	PART NUMBER	DESCRIPTION	Default/ QTY.
1	372002	72 TOOTH SPROCKET	1
2	331001	FLANGE BEARING (1")	2
3	372001	12 TOOTH SPROCKET	1
4	351008	ROTISSERIE DRIVE MOTOR	1
5	351009	GEAR BOX	1
6	376009	DRIVE CHAIN KIT #35 CHAIN AND MASTER LINK	1
7	321003	ROTISSERIE AXLE	1



WIRING DIAGRAM



Refer to Sevice Bulletin SP2017-003 for set screw and key stock sizes.



PROPRIETARY AND CONFIDENTIAL
 THE INFORMATION CONTAINED IN THIS DRAWING IS THE SOLE PROPERTY OF SOUTHERN PRIDE DISTRIBUTING, LLC. ANY REPRODUCTION IN PART OR AS A WHOLE WITHOUT THE WRITTEN PERMISSION OF SOUTHERN PRIDE DISTRIBUTING, LLC IS PROHIBITED

Southern Pride Distributing, LLC
 401 S. Mill Street
 Alamo, TN 38001
 Ph: 731-696-3175
 Fax: 731-696-3180

TITLE: DRIVE SYSTEM ASSEMBLY	
MODEL: MLR-150	S/N: ALL
UNLESS OTHERWISE SPECIFIED: DIMENSIONS ARE IN INCHES TOLERANCES LINEAR: +/- 0.005" ANGULAR: +/- 0.1°	DWG NO. SPExpI-R008
DO NOT SCALE DRAWING	SCALE: 1:3
DRAWN BY: DAVE LEWSADER	DATE: 8/30/2017
SHEET 1 OF 1	

F
E
D
C
B
A

8 7 6 5 4 3 2 1

8 7 6 5 4 3 2 1