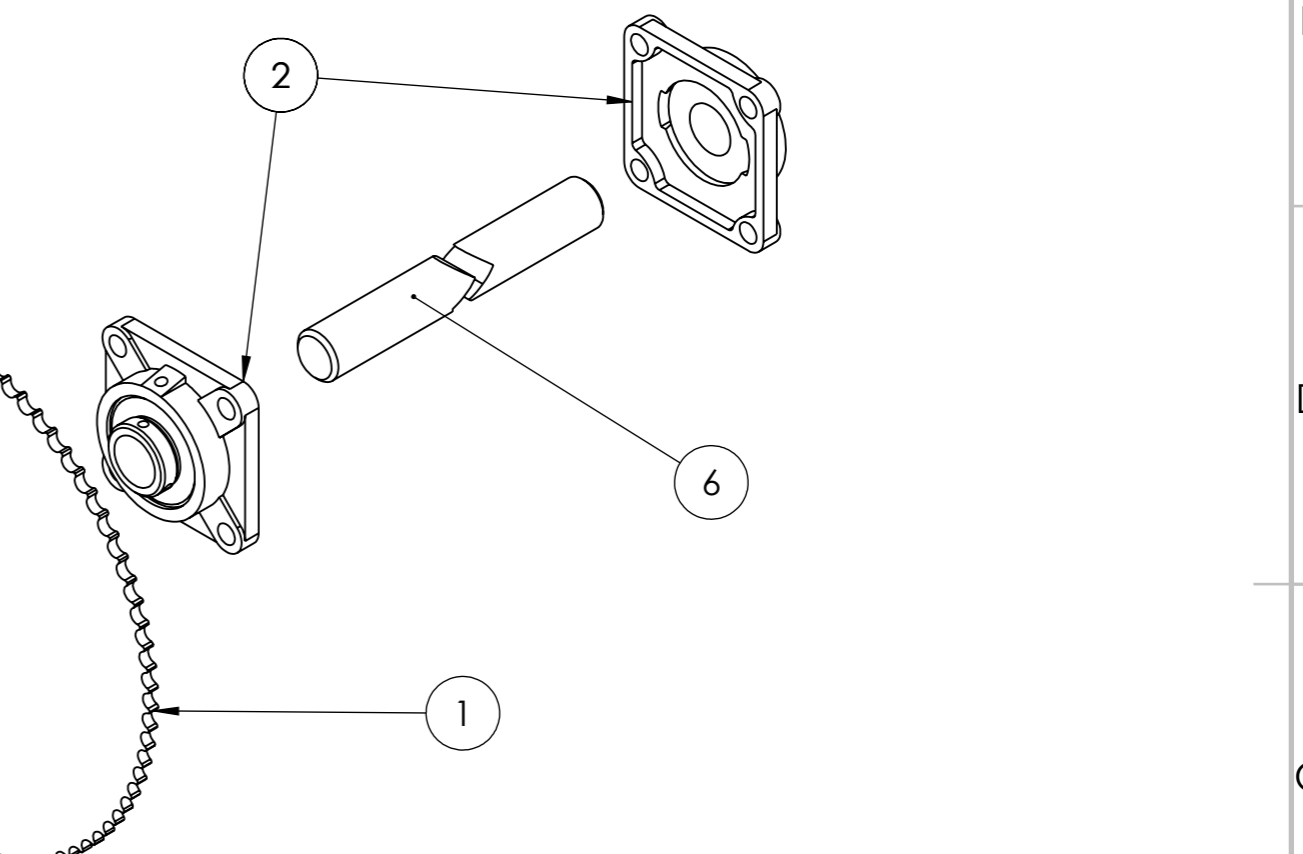
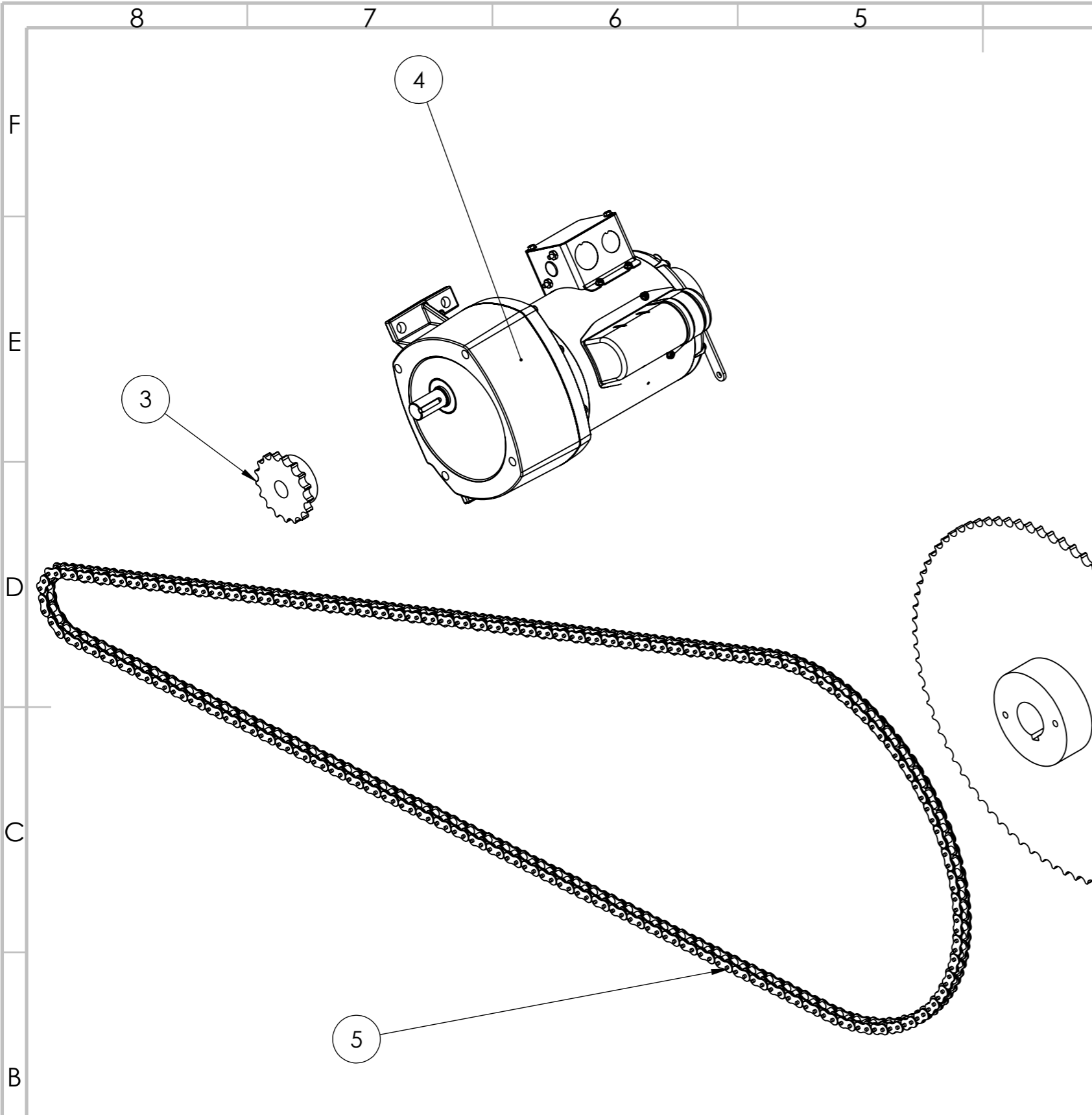
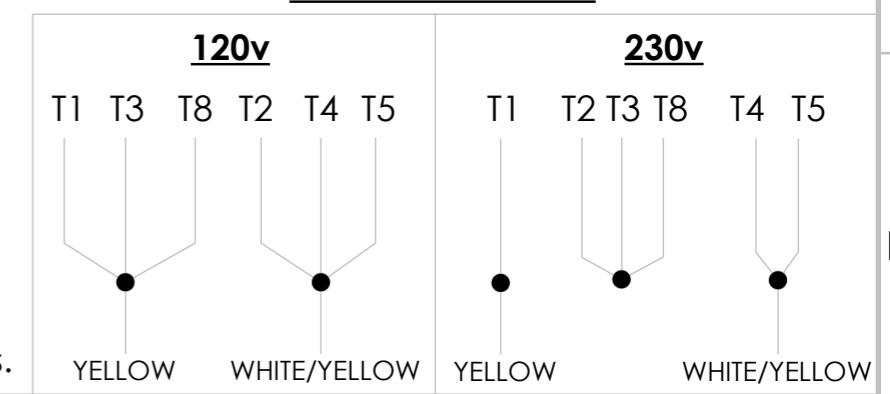


ITEM NO.	PART NUMBER	DESCRIPTION	QTY.
1	372013	80 TOOTH SPROCKET	1
2	332002	FLANGE BEARING (1 1/2")	2
3	372009	14 TOOTH SPROCKET	1
4	351004	1/4 HP ROTISSERIE DRIVE MOTOR	1
5	376011	DRIVE CHAIN KIT #50 CHAIN AND MASTER LINK	1
6	322015	ROTISSERIE AXLE	1



WIRING DIAGRAM



Refer to Sevice Bulletin SP2017-003 for set screw and key stock sizes.



PROPRIETARY AND CONFIDENTIAL
 THE INFORMATION CONTAINED IN THIS DRAWING IS THE SOLE PROPERTY OF SOUTHERN PRIDE DISTRIBUTING, LLC. ANY REPRODUCTION IN PART OR AS A WHOLE WITHOUT THE WRITTEN PERMISSION OF SOUTHERN PRIDE DISTRIBUTING, LLC IS PROHIBITED

Southern Pride Distributing, LLC
 401 S. Mill Street
 Alamo, TN 38001
 Ph: 731-696-3175
 Fax: 731-696-3180

MATERIAL:
 FINISH:

TITLE: DRIVE SYSTEM ASSEMBLY

MODEL: MLR-850 S/N: R8500067 TO PRESENT

UNLESS OTHERWISE SPECIFIED: DIMENSIONS ARE IN INCHES
 TOLERANCES
 LINEAR: +/- 0.005"
 ANGULAR: +/- 0.1°

SIZE A3 DWG NO. SPExpI-R004 REV 1

DO NOT SCALE DRAWING SCALE: 1:3 DRAWN BY: DAVE LEWSADER DATE: 3/2/2023 SHEET 1 OF 1