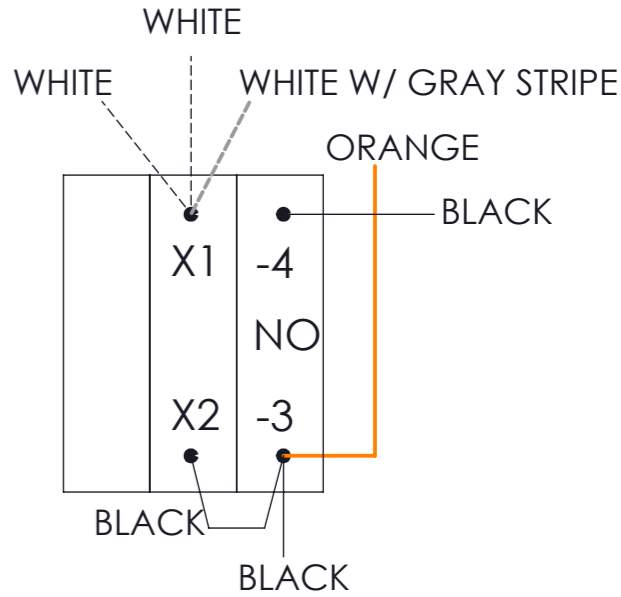
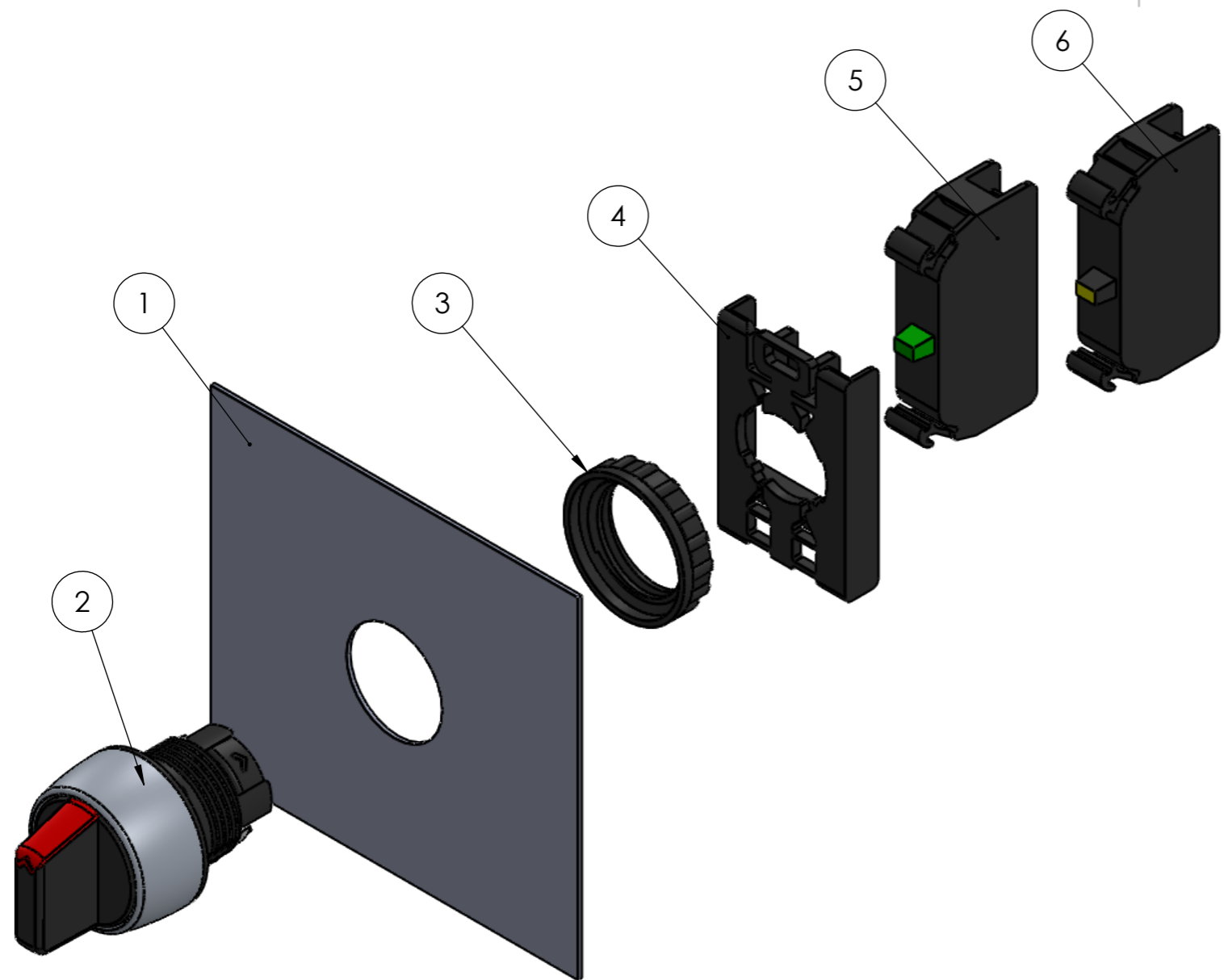


ITEM NO.	PART NUMBER	DESCRIPTION	QTY.
1		CONTROL PANEL	1
2	441036	RED MAINTAINED ACTUATOR	1
3		SWITCH NUT (INCLUDED WITH ITEM #2)	1
4		MODULE DOCKING PLATE (INCLUDED WITH ITEM #2)	1
5	441037	NORMALLY OPEN CONTACT BLOCK	1
6	441038	LED MODULE	1



SMOKER WITHOUT INTERIOR LIGHT SWITCH

WIRE LOCATION	WIRE COLOR	DESTINATION/SOURCE
X1	WHITE	#15 WIRE HARNESS PLUG
X1	WHITE	#9 TEMPERATURE CONTROLLER
X1	WHITE w/ GRAY STRIPE	#14 WIRE HARNESS PLUG
X2	BLACK	#3 MAIN POWER SWITCH
4	BLACK	#3 DOOR PROXIMITY SWITCH RELAY
3	BLACK	X2 MAIN POWER SWITCH
3	BLACK	#2 ROTISSERE ADVANCE SWITCH
3	ORANGE	#10 TEMPERATURE CONTROLLER

SMOKER WITH INTERIOR LIGHT SWITCH

WIRE LOCATION	WIRE COLOR	DESTINATION/SOURCE
X1	WHITE	#15 WIRE HARNESS PLUG
X1	WHITE	#9 TEMPERATURE CONTROLLER
X1	WHITE w/ GRAY STRIPE	#4 INTERIOR LIGHT SWITCH
X2	BLACK	#3 MAIN POWER SWITCH
4	BLACK	#3 DOOR PROXIMITY SWITCH RELAY
3	BLACK	X2 MAIN POWER SWITCH
3	BLACK	#2 ROTISSERE ADVANCE SWITCH
3	ORANGE	#10 TEMPERATURE CONTROLLER



PROPRIETARY AND CONFIDENTIAL
 THE INFORMATION CONTAINED IN THIS DRAWING IS THE SOLE PROPERTY OF SOUTHERN PRIDE DISTRIBUTING, LLC. ANY REPRODUCTION IN PART OR AS A WHOLE WITHOUT THE WRITTEN PERMISSION OF SOUTHERN PRIDE DISTRIBUTING, LLC IS PROHIBITED

Southern Pride Distributing, LLC
 401 S. Mill Street
 Alamo, TN 38001
 Ph: 731-696-3175
 Fax: 731-696-3180

TITLE: #441035 MAIN POWER SWITCH EXPLODED VIEW	SIZE A3	DWG NO. SPEXPL-E202	REV
MODEL: GAS ROTISSERIE SMOKERS WITH STANDARD CONTROL	SCALE: 1:3	DRAWN BY: DAVE LEWSADER	DATE: 7/19/2018
UNLESS OTHERWISE SPECIFIED: DIMENSIONS ARE IN INCHES TOLERANCES LINEAR: +/- 0.005" ANGULAR: +/- 0.1°	DO NOT SCALE DRAWING	DATE: 7/19/2018	SHEET 1 OF 1