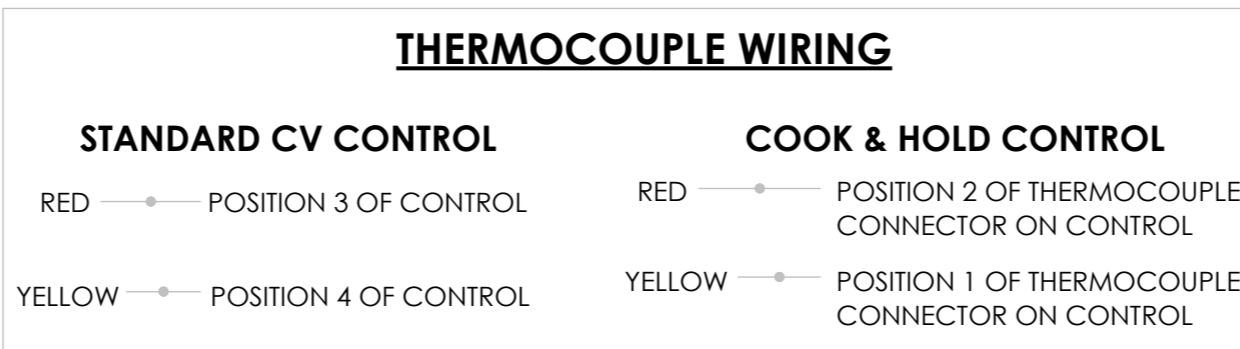
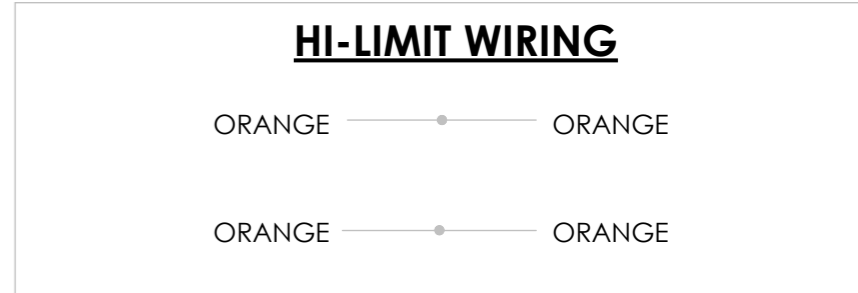
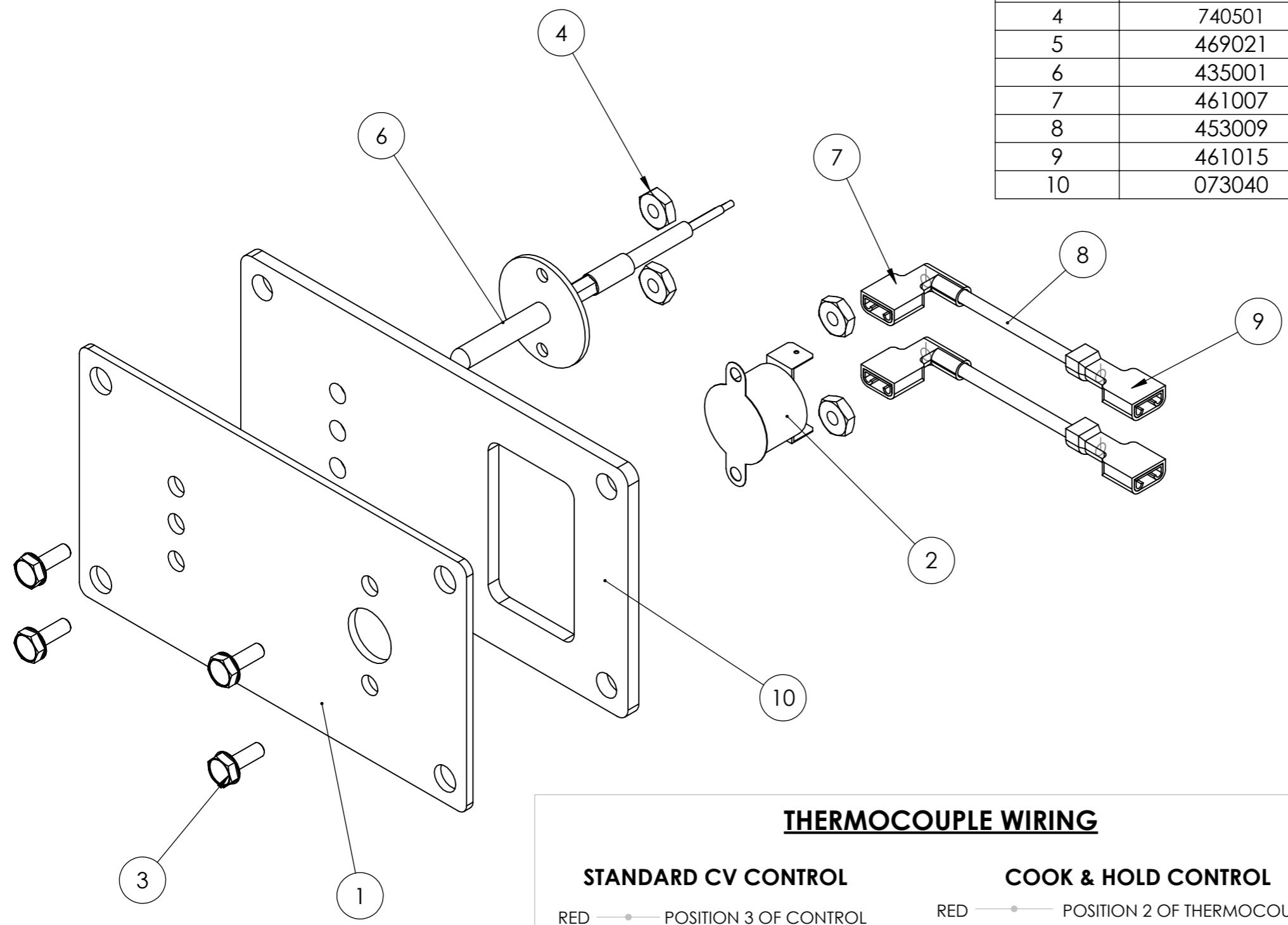


ITEM NO.	PART NUMBER	DESCRIPTION	QTY.
1	425507	T/C HI LIMIT COMBO MOUNTING PLATE	1
2	434002	HI-LIMIT BI-MTL. 340 DEGREE	1
3	724501	6-32 X 3/8" HWH MS SS	4
4	740501	6-32 SS HEX NUT	4
5	469021	1" HEAT SHRINK TUBING (NOT SHOWN)	.417'
6	435001	1" THERMOCOUPLE "K" TYPE	1
7	461007	FLAG TERMINAL	2
8	453009	16 GAUGE TEFLON WIRE	1.667'
9	461015	1/4" MALE DISCONNECT	2
10	073040	HIGH LIMIT / THERMOCOUPLE GASKET	1



ALL MODELS: SC-300	S/N: C3000001 TO PRESENT
120v MODELS: MLR-150	S/N: R1500173 TO PRESENT
SPX-300	S/N: X3000839 TO PRESENT
SPK-500	S/N: K5001207 TO PRESENT
SP-700	S/N: P7000176 TO PRESENT
MLR-850	S/N: R8500067 TO PRESENT
SPK-1000	S/N: K1000329 TO PRESENT
SPK-1400	S/N: K14A0001 TO PRESENT



PROPRIETARY AND CONFIDENTIAL
 THE INFORMATION CONTAINED IN THIS DRAWING IS THE SOLE PROPERTY OF SOUTHERN PRIDE DISTRIBUTING, LLC. ANY REPRODUCTION IN PART OR AS A WHOLE WITHOUT THE WRITTEN PERMISSION OF SOUTHERN PRIDE DISTRIBUTING, LLC IS PROHIBITED

Southern Pride Distributing, LLC
 401 S. Mill Street
 Alamo, TN 38001
 Ph: 731-696-3175
 Fax: 731-696-3180

TITLE:		#493012 HI-LIMIT THERMOCOUPLE ASSEMBLY	
UNLESS OTHERWISE SPECIFIED: DIMENSIONS ARE IN INCHES TOLERANCES LINEAR: +/- 0.005" ANGULAR: +/- 0.1°	SIZE A3	DWG NO. SPExpl - E200	REV 2
MATERIAL:	DO NOT SCALE DRAWING	SCALE: 1:5	DRAWN BY: DAVE LEWSADER
FINISH:	DATE: 12/8/2020	SHEET 1 OF 1	