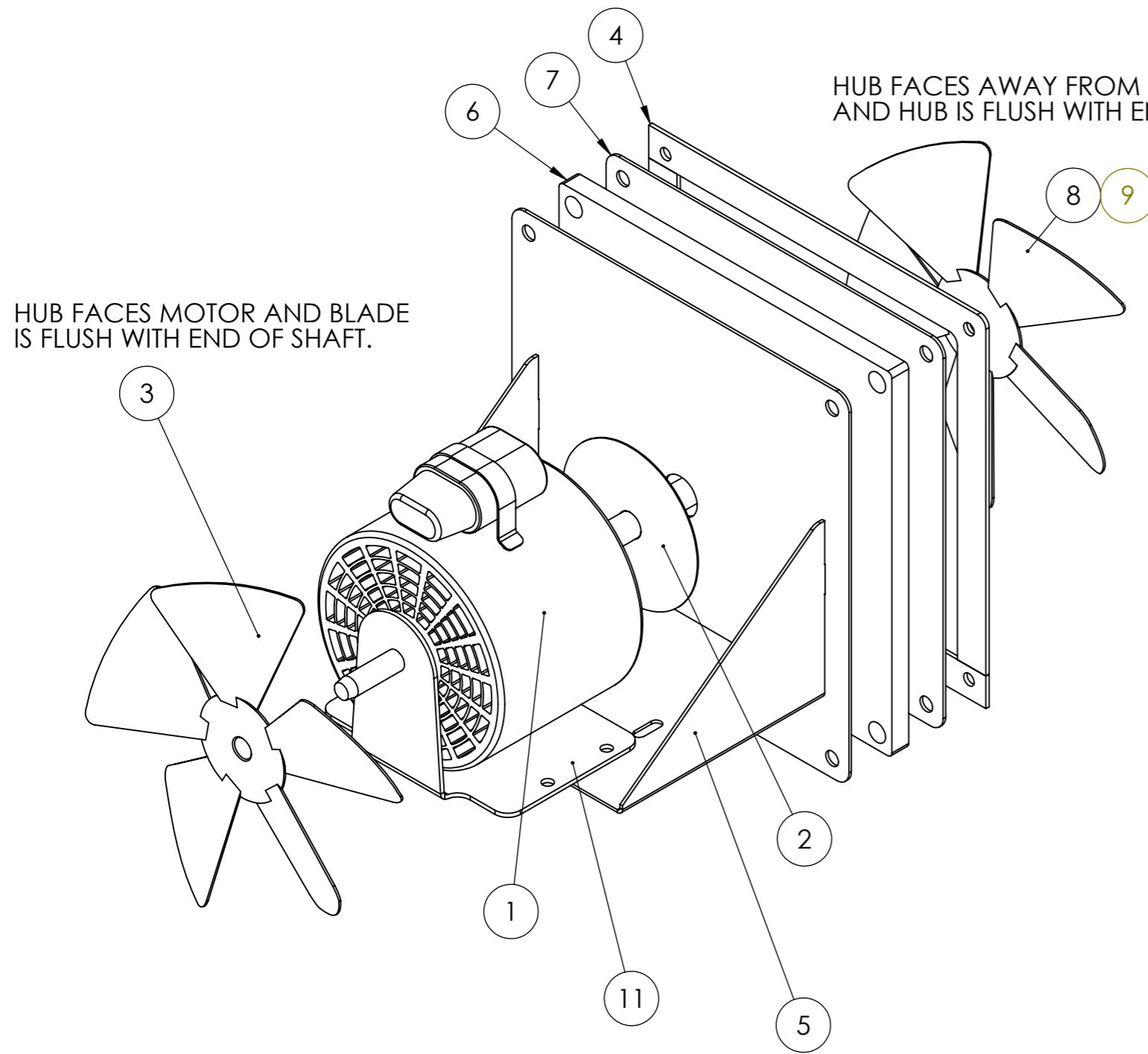


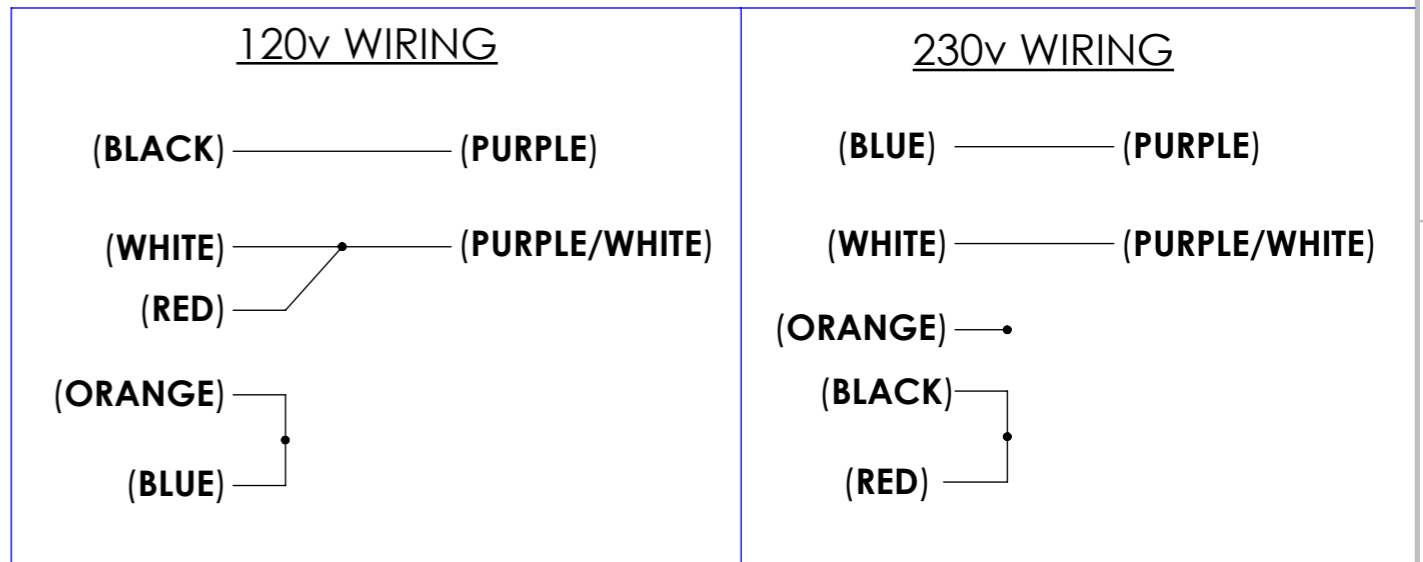
ITEM NO.	PART NUMBER	DESCRIPTION	QTY.
1	522004	CONVECTION FAN DUAL VOLTAGE (INCLUDES ITEM #2, #10 & #11)	1
2	533001	FAN DISK HEAT SINK 5/8" SHAFT	1
3	532004	8" FAN BLADE CW SS 1/2" HUB	1
4	073028	FAN MOUNT PLATE GASKET	2
5	591007	CONVECTION FAN BRACKET	1
6	561001	FAN ASSEMBLY INSULATION BOARD	1
7	512024	FAN MOUNT PLATE (SPX-300 ONLY)	1
8	532004	8" FAN BLADE CW SS 1/2" HUB (SPX-300 ONLY)	1
9	532010	10" FAN BLADE CW SS 1/2" HUB (SPK1000 ONLY)	1
10	523001	MOTOR BUSHING (NOT SHOWN)	2
11	523002	MOTOR MOUNTING BASE	1



HUB FACES AWAY FROM MOTOR AND HUB IS FLUSH WITH END OF SHAFT.

HUB FACES MOTOR AND BLADE IS FLUSH WITH END OF SHAFT.

REFER TO SERVICE BULLETIN SP2017-002 FOR SET SCREW AND ALLEN WRENCH SIZES. SET SCREWS SHOULD BE TIGHTENED ON FLAT OF MOTOR SHAFT.



PROPRIETARY AND CONFIDENTIAL
 THE INFORMATION CONTAINED IN THIS DRAWING IS THE SOLE PROPERTY OF SOUTHERN PRIDE DISTRIBUTING, LLC. ANY REPRODUCTION IN PART OR AS A WHOLE WITHOUT THE WRITTEN PERMISSION OF SOUTHERN PRIDE DISTRIBUTING, LLC IS PROHIBITED

Southern Pride Distributing, LLC
 401 S. Mill Street
 Alamo, TN 38001
 Ph: 731-696-3175
 Fax: 731-696-3180

TITLE: 120V / 230V CONVECTION FAN EXPLODED VIEW
 MODEL: SPX-300 S/N: X30001 TO PRESENT
 SPK-1000 S/N: K1000245 (APPOX) TO PRESENT
 (EARLIER SMOKERS HAD A TWO SPEED FAN)

UNLESS OTHERWISE SPECIFIED: DIMENSIONS ARE IN INCHES
 TOLERANCES LINEAR: +/- 0.005" ANGULAR: +/- 0.1°
 SIZE A3 DWG NO. SPEXpl-E102 REV 1

FINISH: DO NOT SCALE DRAWING SCALE: 1:3 DRAWN BY: DAVE LEWSADER DATE: 1/29/2018 SHEET 1 OF 1