

MODEL XLR-350-SLSE WOOD BURNING BAR-B-QUE PIT



SOUTHERN PRIDE FEATURES

GENUINE BARBECUE: Authentic barbecue is the result of cooking meat with the smoke and heat of burning wood. The smoke penetrates the meat giving it a flavor that cannot be obtained in any other way. **SOUTHERN PRIDE** uses fireplace-size logs to obtain flavor, aroma, color and texture beyond comparison.

FULLY AUTOMATIC: SOUTHERN PRIDE wood burning barbecue pits eliminate all guesswork in barbecuing. There's no need for constant attention, no need even to turn the meat while it's cooking. **SOUTHERN PRIDE** is fully automatic.

THERMOSTATIC CONTROL: Precise thermostatic control maintains a constant pit temperature and provides for day-to-day product consistency. This eliminates the need for training skilled employees to barbecue, saving countless dollars in a restaurant's two most expensive factors: food cost and labor.

CONVECTION AIR: This unique convection system continually recirculates smoke and heat throughout the entire pit, insuring temperature uniformity. This feature reduces cooking time, reduces shrinkage and allows cooking at a lower temperature.

ROTISSERIE: This **SOUTHERN PRIDE** feature provides self-basting of the product to enhance its flavor and texture. In conjunction with the convection system, the rotisserie eliminates your need to turn the product while it cooks. The food racks are specially designed for quick removal and easy cleaning.

**HIGHEST QUALITY
CONSTRUCTION AND
COMPONENTS—
100% TESTED
PATENTED—U.S.A.**

SUBTERTHERMIC™ FLUE:

Maximum smoke intensity is obtained with this unique, patented **SOUTHERN PRIDE** flue system. It increases smoke flavor of the meat, increases heat efficiency and drastically reduces wood usage. In conjunction with insulated walls and our patented air-over firebox, the **SUBTERTHERMIC™** flue reduces wood usage to as little as two to three fireplace-size logs for an entire day's cooking.

SMOKE EXTRACTOR: This convenient **SOUTHERN PRIDE** feature evacuates the smoke from the pit and allows loading or unloading of the product without excess smoke emitting into the room. It can be activated by a switch on the control panel or is automatically activated when the door opens. This feature also can be used for cooling the product after cooking.

DOWNTIME ELIMINATED: The unique wood burning feature of this equipment allows for the cooking process to continue in the remote possibility of power or component failure.

OPTIONAL: Digital Cook & Hold Controls are available.

SOUTHERN PRIDE SPECIFICATIONS

22-GAUGE STAINLESS STEEL
EXTERIOR

14-GAUGE CRS SEAM WELDED
INTERIOR LINER

FULLY INSULATED CABINET

CABINET SIZE—4'9" WIDE, 5'6 3/4"
DEEP, 4' 3/4" TALL

TEMPERATURE RANGE: From
100°F to 325°F

WOOD BURNING: Uses wood logs
four to six inches in diameter, 12 to 15
inches in length. Hickory, maple, oak,
apple, cherry, mesquite, pecan, etc.

IGNITION SYSTEM: 120 volts A.C.,
60 hertz, 1 phase, 15 amp wiring
required.

AIR CIRCULATION: Convection fan

VENTING: 6-inch flue required
(supplied by customer), 10-inch flue
required for Smoke Extractor (supplied
by customer).

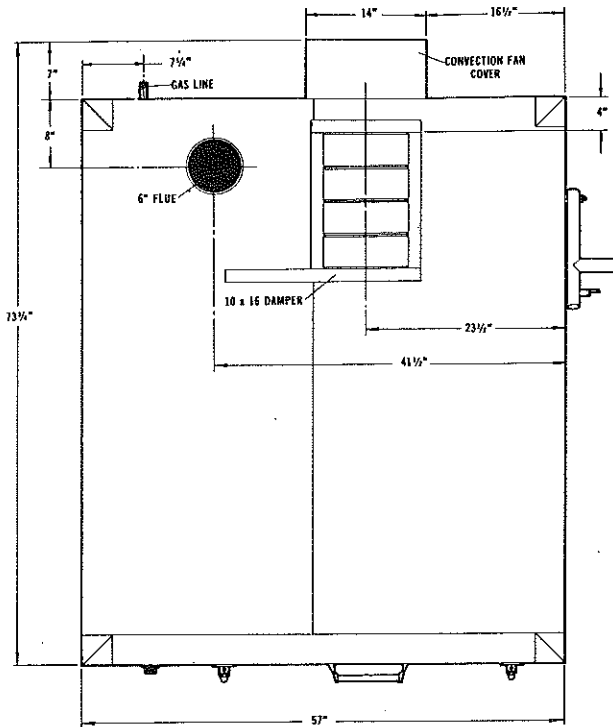
FOOD RACKS: Rotisserie with 15 -
10" X 34" nickel-plated food racks
(36 square feet of cooking surface).

Southern PRIDE

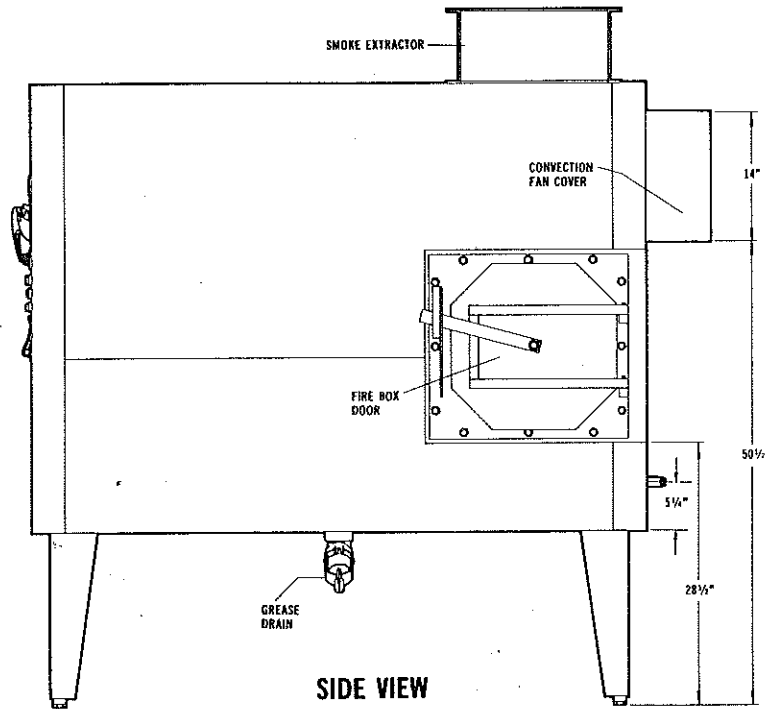


MODEL XLR-350-SLSE DIMENSIONAL SPECIFICATIONS

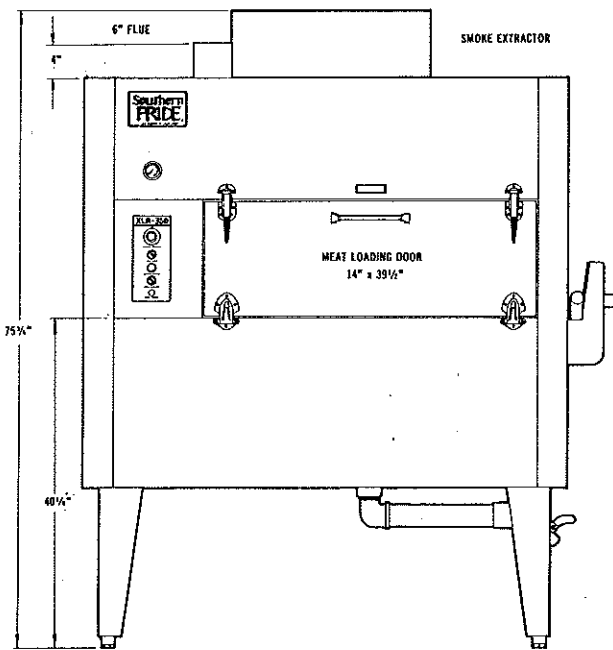
**Southern
PRIDE**
ROASTING OVENS/BARBECUE PITS



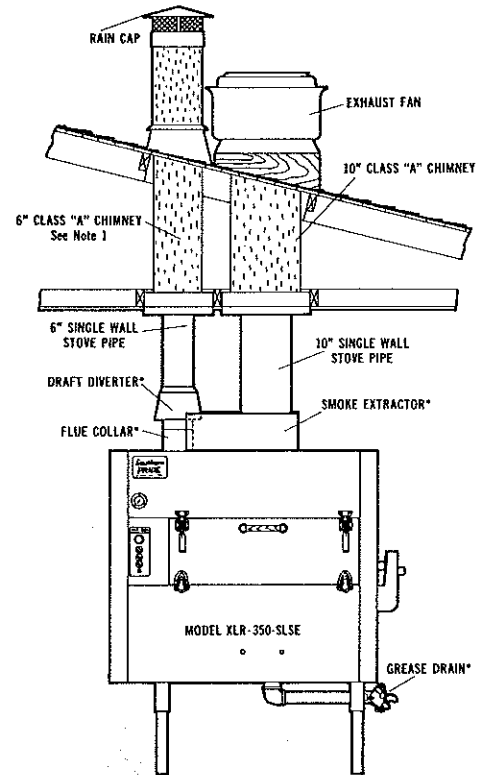
TOP VIEW



SIDE VIEW



FRONT VIEW



TYPICAL INSTALLATION

NOTES

1. Venting should conform with the National Fire Protection Association Standard No. 211. Local codes that supersede NFPA No. 211 must be complied with. Chimneys are required to extend 3 feet above the highest point where they pass through the roof and at least 2 feet higher than any portion of the building within 10 feet.
2. All items supplied by Southern Pride are designated by (*). All other items are supplied by contractor.
3. Min. clearances from combustible materials:
 Back - 2 inches
 Left Side - 18 inches (access for service)
 Right Side - 24 inches
 Top - 18 inches
 Front - 48 inches
 Chimney Connectors - 18 inches
 Floor - Combustible

NOTE: 2 inch spacing for the back is acceptable, however, access must be provided for service.

SOUTHERN PRIDE - Route 2 - Box 21A - Marion, Illinois 62959 - (800) 851-8180

Service Dept. (618) 997-9340

Fax (618) 993-5960