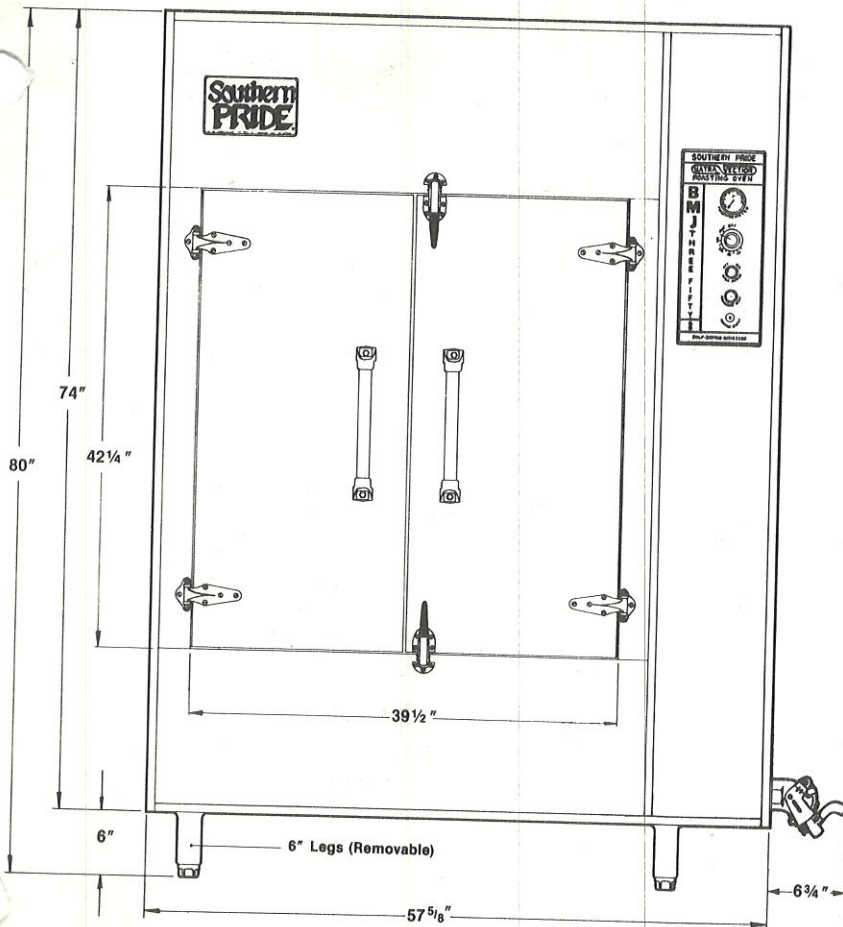
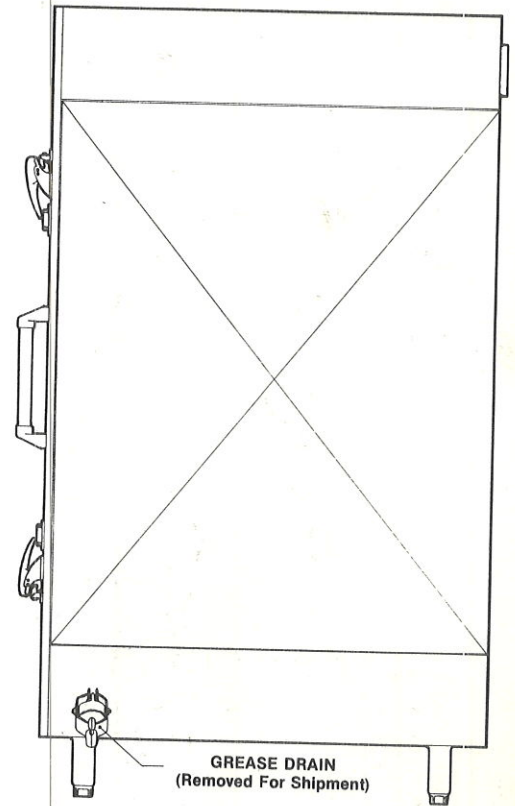


# MODEL BMJ-350-I DIMENSIONAL SPECIFICATIONS

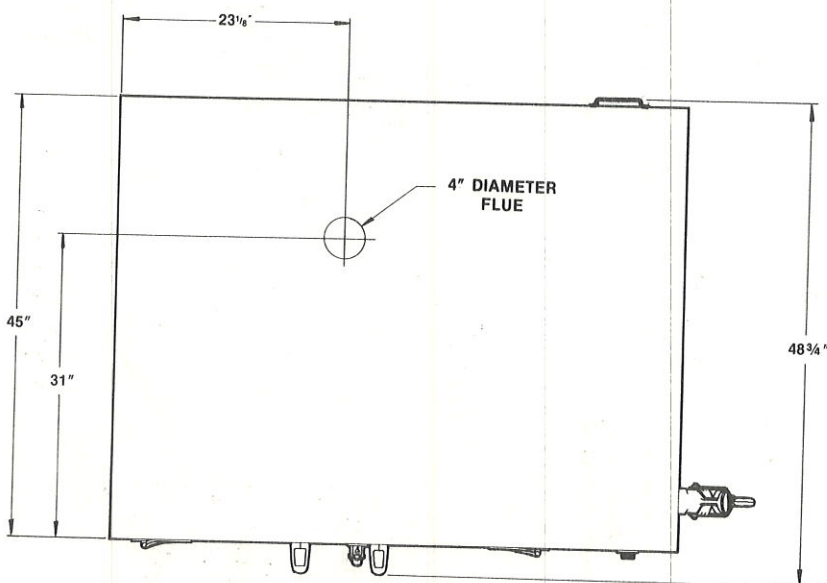
**Southern  
PRIDE**  
ROASTING OVENS/BARBECUE PITS



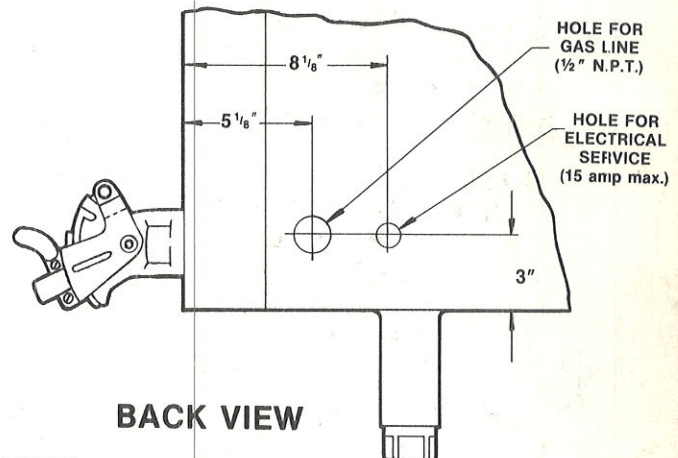
**FRONT VIEW**



**RIGHT SIDE VIEW**



**TOP VIEW**



**BACK VIEW**

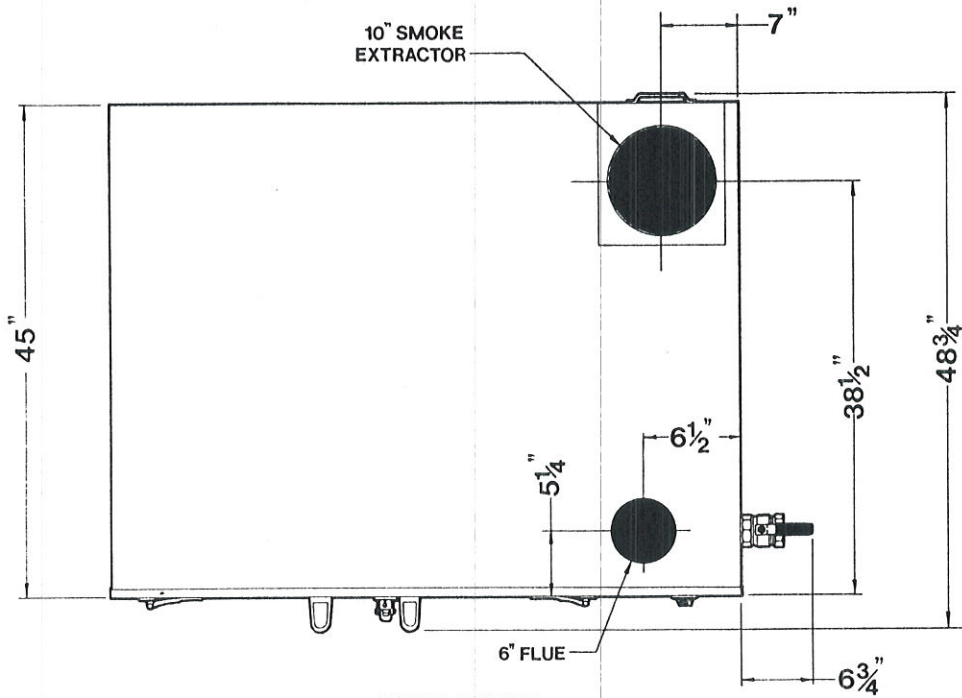
**NOTES**

- Minimum clearances from combustible material:  
 Front - 4 feet (access for loading and unloading)  
 Left Side - 2 inches  
 Back - 2 inches  
 Right Side - 18 inches (access for service)  
 Top - 18 inches  
 Floor - May be combustible
- Venting: The model BMJ-350-I must be provided with an exhaust vent system in accordance with the National Fire Protection Association Standard for REMOVAL OF SMOKE AND GREASE LADEN VAPORS from COMMERCIAL COOKING EQUIPMENT, NFPA 96.
- Minimum Cabinet Dimension: 57 5/8 inches wide, 45 inches deep, 74 3/4 inches tall.  
 (With Meat Doors, Hinge and Latch Hardware, Controls, Grease Drain, 6" Legs and Vent Cover, in back, removed.)

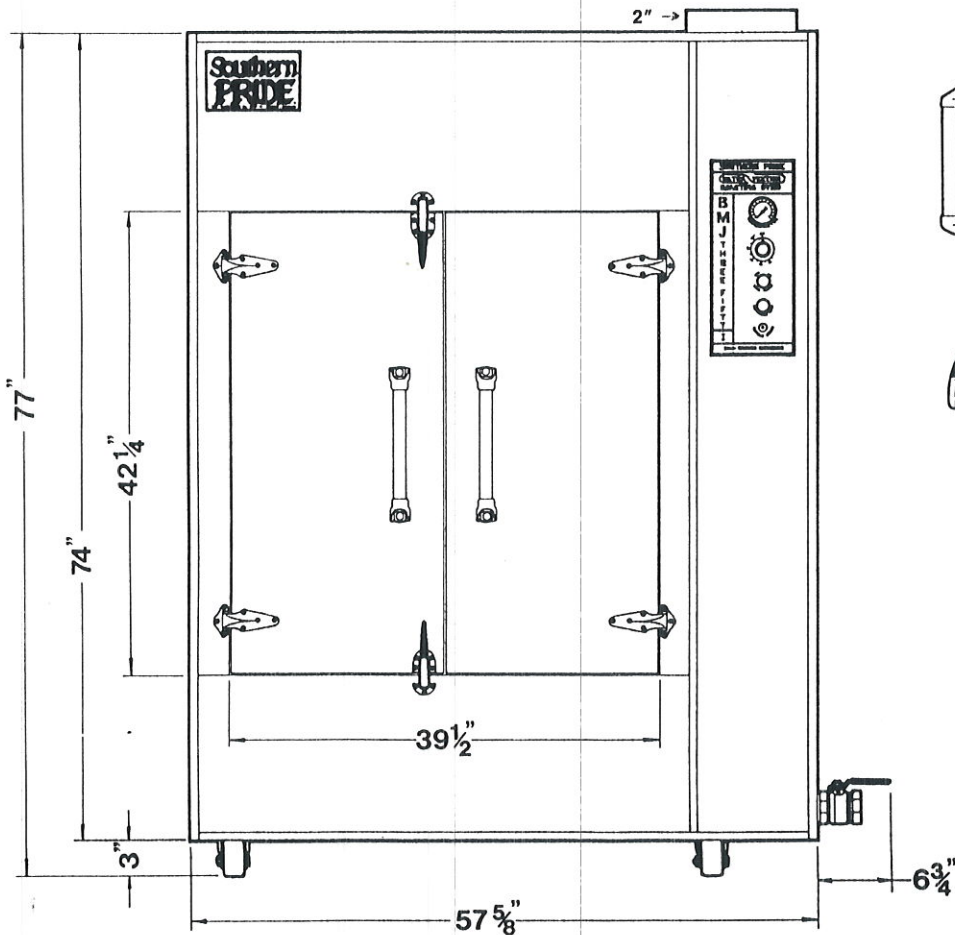
**B.B. ROBERTSON COMPANY — Route 2 - Box 21A — Marion, Illinois 62959 — (618) 997-9348**

(Form #BBR-018)

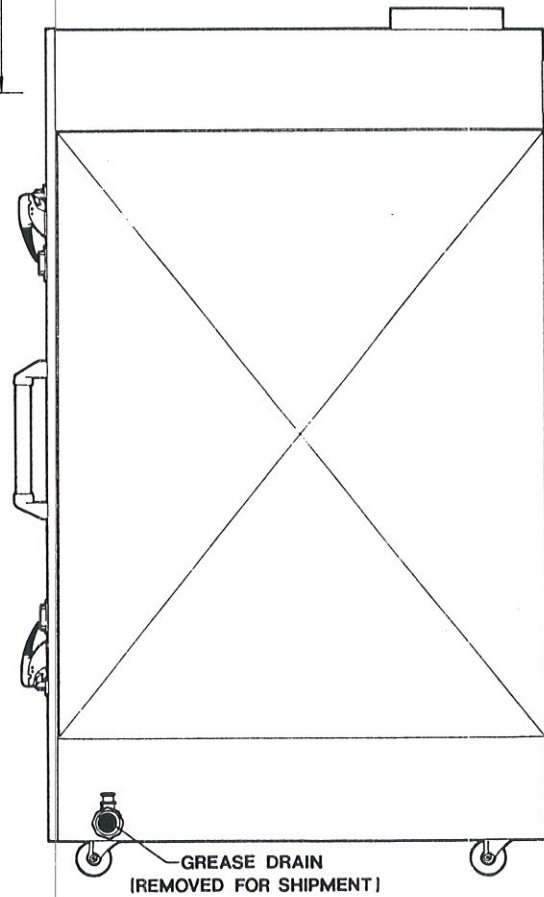
# SOUTHERN PRIDE MODEL BMJ-350-I-SE DIMENSIONAL SPECIFICATIONS



**TOP VIEW**



**FRONT VIEW**



**SIDE VIEW**