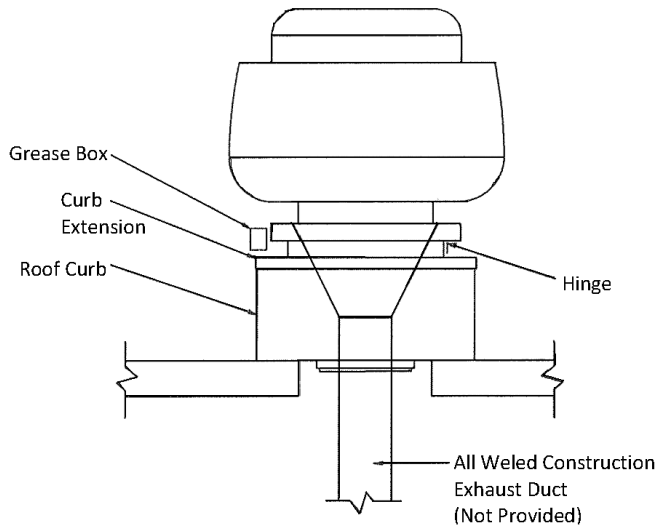


Model: VSP Eyebrow Hood

Available for all gas rotisserie models



Two speed exhaust fan assembly
shown with flat roof curb



SP-700 with VSP eyebrow hood shown

EXHAUST DUCT FROM HOOD TO EXHAUST FAN IS NOT PROVIDED.

Operation:

The exhaust fan receives power from a junction box on the back of the smoker. When power is running to the smoker, the exhaust fan runs at low speed. When the product doors of the smoker are open, the exhaust fan switches to high speed. The exhaust fan returns to low speed when the product loading doors are closed.

Standard Features:

- Stainless steel construction.
- 2-speed fan (1320cfm/2000cfm).
- Curb (flat or pitched) and vented extension, hinge kit and a grease capture trough.
- Filters.

Optional Features:

- Larger CFM fan for excess duct runs or runs with multiple bends/elbows.
- Insulation kit for through the wall installations.
- Stainless steel trim kit for through the wall installations.



Southern Pride Distributing, LLC
401 S Mill St
Alamo, TN 38001
Phone: 731.696.3175
Fax: 731.696.3180
www.southernpride.com

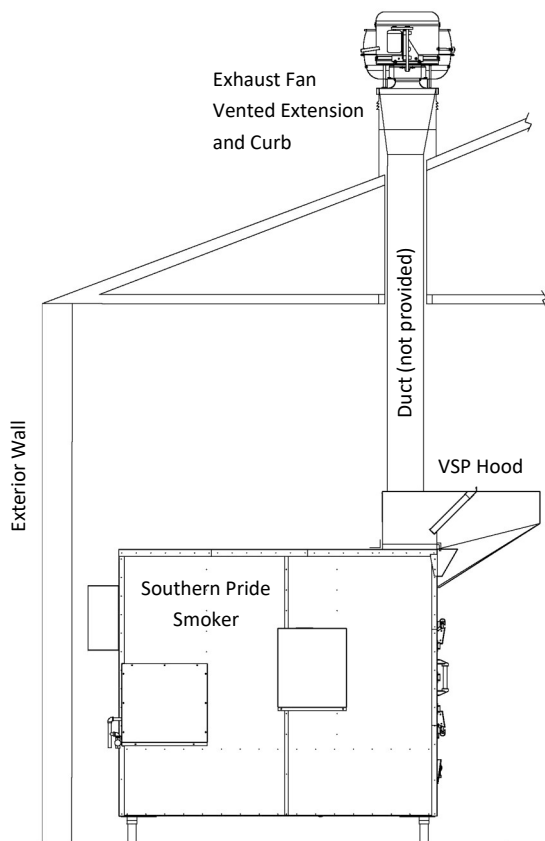
REVISED: May 2020 Revision 2

An ongoing program of product improvement may require us to change specifications without notice.

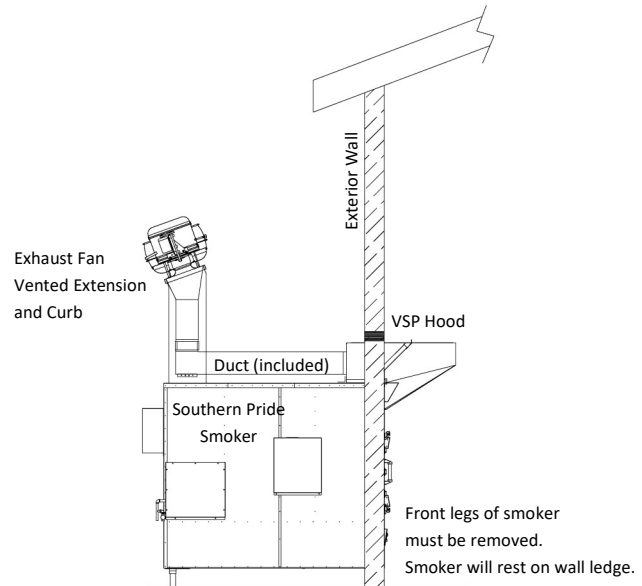
© 2020 Southern Pride Distributing, LLC

Model: VSP Eyebrow Hood

Available for all gas rotisserie models



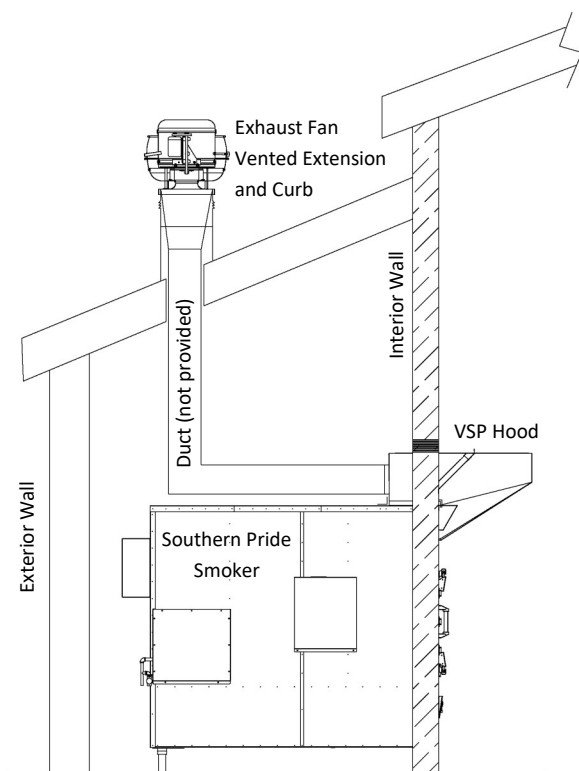
**Indoor Installation
Top Discharge System**



Self-Supported Rear Discharge System *
(SPK-1400 only, per 2018 International Mechanical Code 506.3.13
60" minimum between exterior wall and VSP curb assembly,
system allows a maximum wall thickness of 9".)

IMPORTANT REQUIREMENTS -

- The smoker Owner's Manual contains important information regarding the minimum clearance requirements from combustible material.
- The smoker must have a front flue configuration.
- The smoker should be plugged into a switched receptacle to be able to shut off the hood.
- The smoker must be vented in accordance with the Owner's Manual and the installation must comply with NFPA® 96 and all relevant local and national codes and in a manner acceptable to the authority having jurisdiction.
- Provisions must be made for adequate air supply for the smoker. If the smoker is to be installed in a sealed room or building utilizing exhaust fans, the room must be supplied with a return air system. Return air must be equal or in excess of the exhausted air.
- The smoker should be positioned to provide a direct, or shortest, path to the outside for the exhaust duct.
- Applications with a straight run exhaust length in excess of 30 feet between the VSP eyebrow hood and the fan assembly, and/or applications with more than one bend/elbow in the exhaust duct may require a larger CFM fan.
- Exhaust fans larger than the VSP standard will require more than 120 volt power and/or 20 amps. Fans requiring additional power can not be powered by the smoker. Additional wiring will be required.



Through the Wall Installation *
Rear Discharge System

(On all gas rotisserie models except for MLR-850 and SPK-1400 the front legs can be recessed back 12".)

* The smoker Owner's Manual contains important information regarding the installation of smokers in through the wall applications.