



Model: SC-200 (208/240v models)

Electric Woodchip-Burning Stationary Rack Smoker

Approximate Smoker Capacities

(Capacities will vary based on physical shape, weight, and method of loading for each product specified.)

Pork Butts (8-10 lbs)(3.6 - 4.5 kg) each.....30 pieces

St. Louis Ribs (2.75 lbs)(1.2 kg) each.....25 pieces

w/Optional vertical rib racks.....65 pieces

Whole Chicken (3-4 lbs)(1.4 - 1.8 kg) each....40 pieces

Beef Brisket (12-15 lbs)(5.4 - 6.8 kg) each.....10 pieces



(5) rack slides, 5" (127mm) spacing
16.25 ft² (1.51m²) cooking surface



Standard Features:

- Stainless steel construction; exterior and interior.
- Mineral wool insulated cabinet.
- (2) locking casters (front) and (2) non-locking casters (rear).
- 2" (51mm) flue with variable sized drop-in flue damper.
- Convection fan with 8" (203mm) blower wheel.
- Control with a digital cook and hold thermostat ((80° to 325°F)(27° to 163°C), allows for selection of cook temperature, cook time, and hold temperature).
- 2 1/2" (64mm) grease drain pan.
- (5) 18" x 26" (457 x 660mm) nickel chrome plated product racks (see illustration above).
- Dual woodchip boxes.

Optional Features:

- Right hand door hinge.
- Internal meat probe system. Allows the control to be programmed to cook until the internal temperature of the product reaches the set temperature.
- Stainless steel product racks.
- (5) vertical rib racks. Replaces the standard product racks. Each vertical rib rack holds 13 slabs of ribs for a total capacity of 65 slabs of ribs.
- Stainless steel vertical rib racks.



Southern Pride Distributing, LLC
401 S Mill St
Alamo, TN 38001
Phone: 731.696.3175
Fax: 731.696.3180
www.southernpride.com

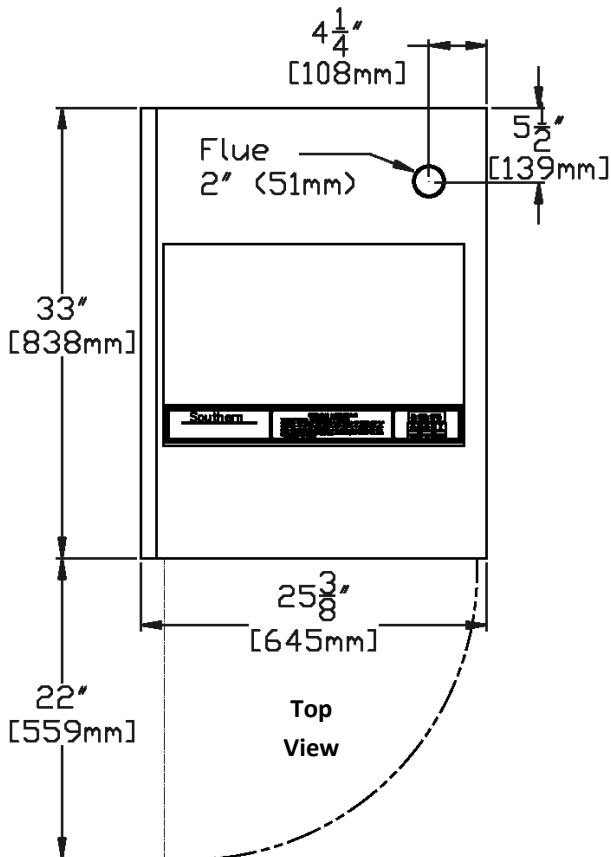
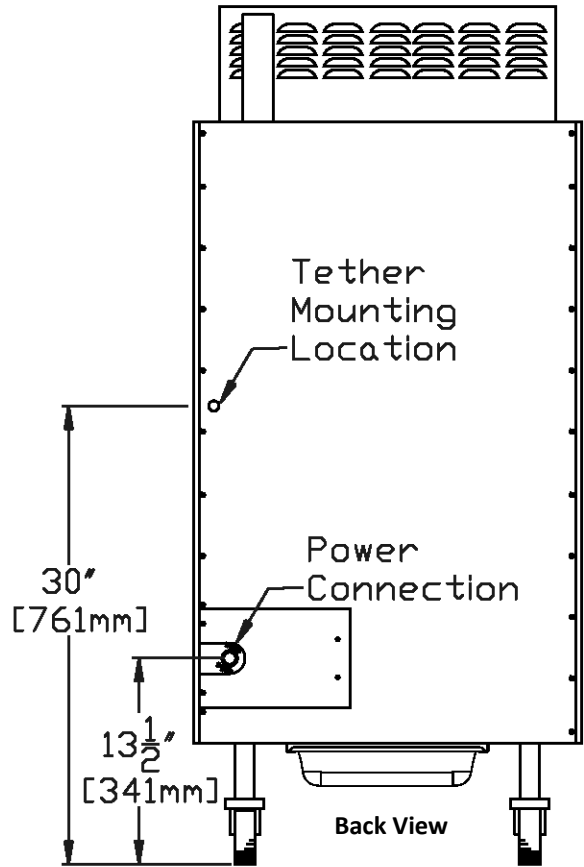
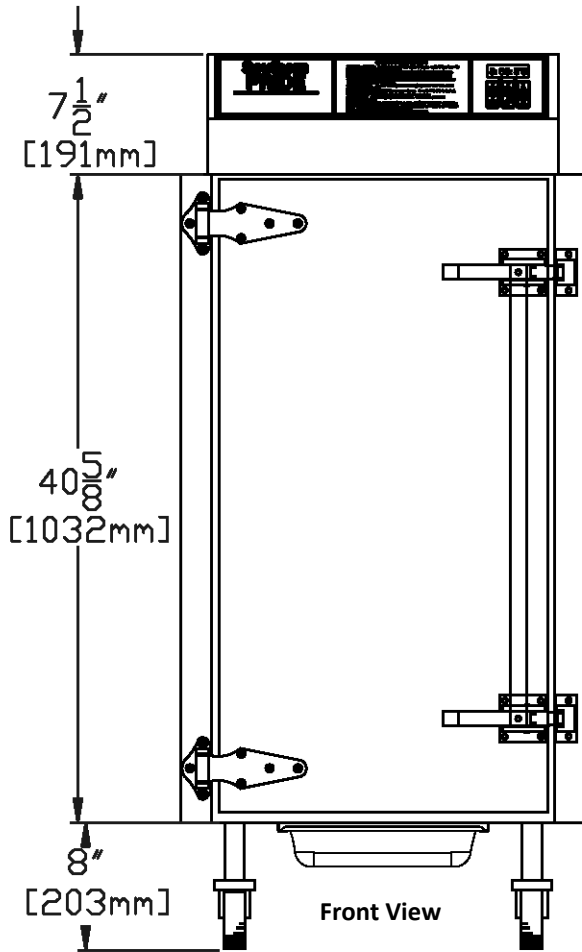
REVISED: September 2016

An ongoing program of product improvement may require us to change specifications without notice.

© 2016 Southern Pride Distributing, LLC

Model: SC-200 (208/240v models)

Electric Woodchip-Burning Stationary Rack Smoker



Standard leg locations (center to center) -
19 5/8"W x 25 3/8"D (498 x 645mm)

REQUIREMENTS

ELECTRICAL

120/208 volt AC or 120/240 volt AC

60 hertz, 3 wire (plus ground), 1-phase, 30 amp wiring required

Electrical cord and NEMA 14-30P plug not provided

VENTILATION

The smoker must be vented in accordance with the Owner's Manual and the installation must comply with NFPA® 96 and all relevant local and national codes and in a manner acceptable to the authority having jurisdiction.

SHIPPING (crated) - 350 lbs (159 kg), Class 100

65"H x 50"W x 28"D (1651 x 1270 x 711mm)