



# Model: MLR-850 (230v model)

## Gas-Fired Wood-Burning Rotisserie Smoker

### Approximate Smoker Capacities

(Capacities will vary based on physical shape, weight, and method of loading for each product specified.)

- Pork Butts (8-10 lbs)(3.6 - 4.5 kg) each.....72 pieces
- St. Louis Ribs (2.75 lbs)(1.2 kg) each.....80 pieces
- Whole Chicken (3-4 lbs)(1.4 - 1.8 kg) each....96 pieces
- Beef Brisket (12-15 lbs)(5.4 - 6.8 kg) each.....24 pieces



(4) 5-tier, 3 1/2" (89mm) spacing, hanger assemblies  
55 ft<sup>2</sup> (5.11 m<sup>2</sup>) cooking surface



### Standard Features:

- Stainless steel construction; exterior and interior.
- Mineral wool insulated cabinet.
- Adjustable 8" (203mm) tall steel pipe legs.
- Front or rear flue configuration.
- Low velocity convection fan with 10" (254mm) fan blade (spare blade included).
- Control with a digital cook and hold thermostat ((140° to 325°F)(60° to 163°C), allows for selection of cook temperature, cook time, and hold temperature), and a pneumatic rotisserie advance foot switch.
- Interior light.
- 2" (51mm) grease drain with ball valve.
- (20) 18" x 22" (457 x 559mm) nickel chrome plated product racks (see illustration above).

### Optional Features:

- Mirror image (left side - firebox; right side - gear motor, burner and utility connections).
- Glass product display doors and manual light switch.
- Stainless steel product racks.
- Smoke extractor damper (typically utilized in through the wall direct venting applications).
- Working height locking casters.
- Product shelf mounted below the control panel.
- Lockable control panel cover.
- Additional optional accessories are available.

Southern Pride Distributing, LLC  
401 S Mill St  
Alamo, TN 38001  
Phone: 731.696.3175  
Fax: 731.696.3180  
www.southernpride.com

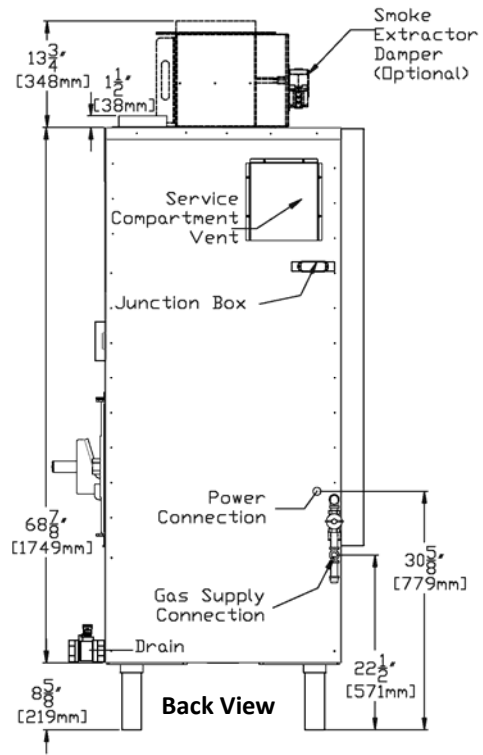
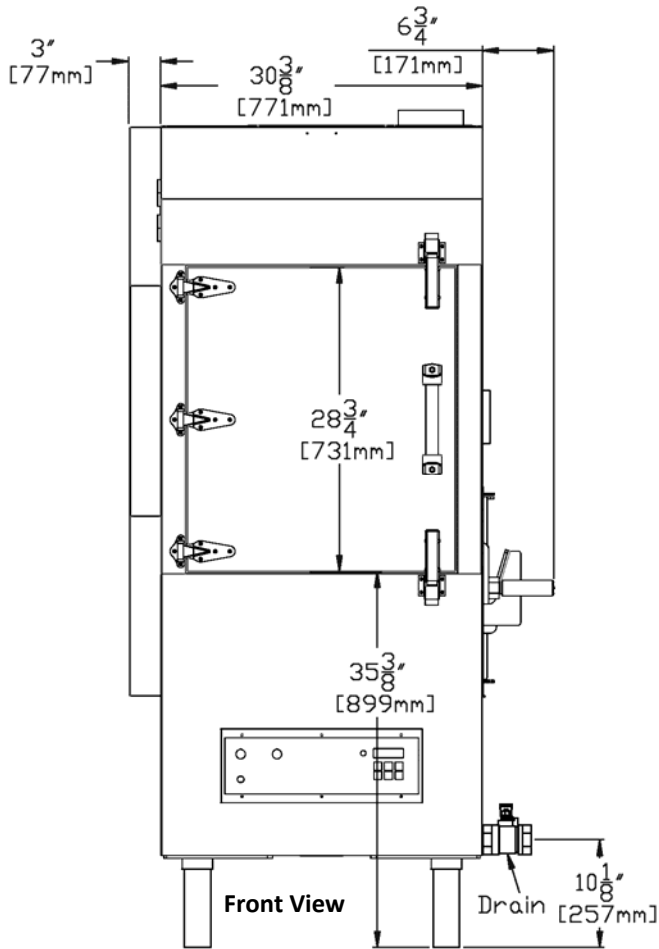
REVISED: November 2016

An ongoing program of product improvement may require us to change specifications without notice.

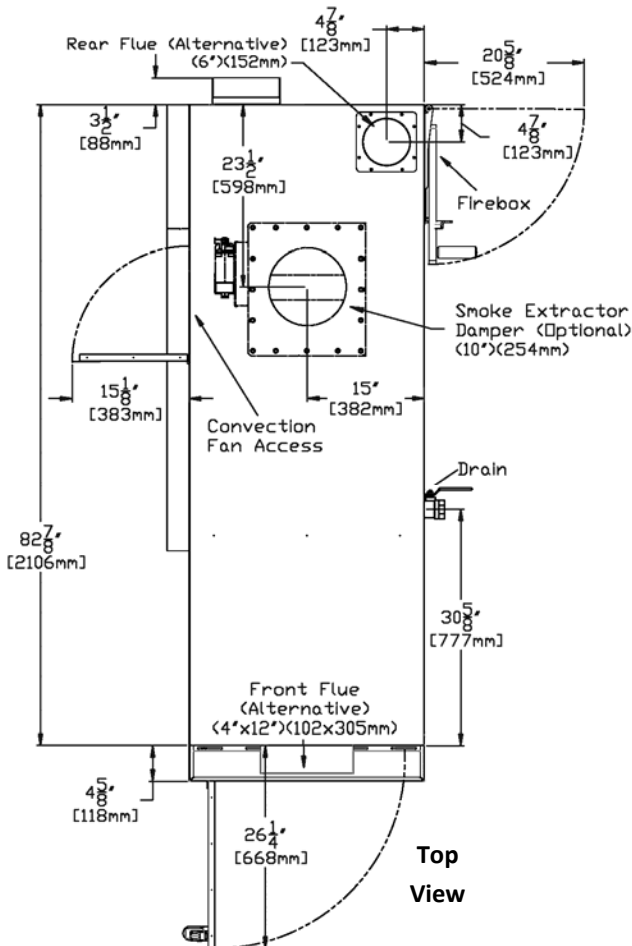
© 2016 Southern Pride Distributing, LLC

# Model: MLR-850 (230v model)

## Gas-Fired Wood-Burning Rotisserie Smoker



Standard leg locations (center to center) -  
23 1/2"W x 76 1/4"D (597 x 1937mm)



### REQUIREMENTS

#### GAS

1/2 inch gas inlet (NPT)

65,000 BTU (19 KW) - Natural (NG)

Supply line pressure - 4.5" W.C. min - 10.0" W.C. max (11.2 - 26.5 mbar)

#### OR

65,000 BTU (19 KW) - Propane (LP)

Supply line pressure - 11.0" W.C. min - 13.0" W.C. max (27.4 - 32.4 mbar)

#### ELECTRICAL

230 volt AC, 50 hertz, 1-phase, 15 amp wiring required

Electrical cord and plug not provided

#### VENTILATION

The smoker must be vented in accordance with the Owner's Manual and the installation must comply with all relevant local and national codes and in a manner acceptable to the authority having jurisdiction.

SHIPPING (crated) - 2,275 lbs (1032 kg), Class 100

85"H x 61"W x 110"D (2159 x 1549 x 2794mm)

#### Minimum Clearance Requirements from Combustible Material

Back.....18" (457 mm)	Firebox door side.....24" (610mm)
Top.....18" (457mm)	Gear motor side.....18" (457mm)
Front.....48" (1219mm)	

NOTE: If provision is made for service access, gear motor side and back clearance can be reduced to 2" (51mm). Through the wall insulation kit allows for 0" clearance on contact surface with combustibles.