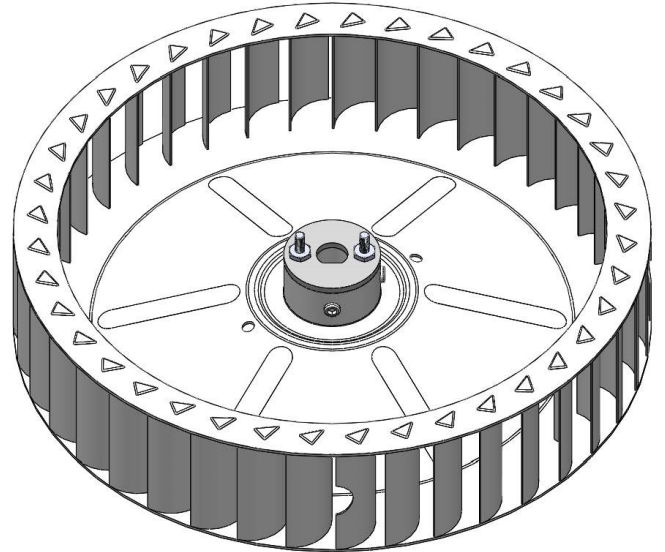


Products: 531003 - 10" Blower Wheel
Serial Range: N/A
Release Date: August 16, 2019 (starting with G4001127)

10" Blower Wheel

The blower wheel will include a stainless steel washer attached to the blower wheel hub by welded threaded studs and nuts. The washer has a D-shaped opening for the convection fan motor shaft. This will allow the user to easily align the set screw in the hub with the flat portion of the motor shaft. This will also prevent the motor shaft from spinning inside of the hub if the set screws are not properly tightened.



Additional Comments:

The smoker should not be operated with the set screws loose on the blower wheel. Doing so will potentially damage the motor shaft. A loose blower wheel will produce an audible sound similar to a loose belt, but with the additional washer, the blower wheel will continue to rotate and move air. This should prompt the user to turn off the smoker and retighten the blower wheel set screws.

Secondary Distribution:

Service technicians within the Distributor's organization.
Service companies.

For Additional Information:

Southern Pride Technical Support: (800) 437-2679