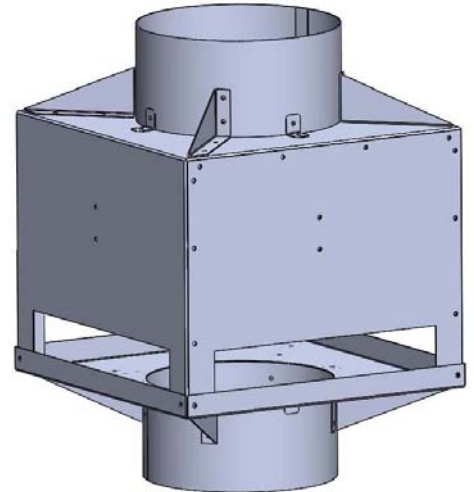


Products: 598003 - Draft Diverter
Serial Range: N/A
Release Date: March 2018

Draft Diverter

A draft diverter can be installed on the rear flue of a gas rotisserie smoker, before the all-fuel chimney, to protect the smoker and burner from a back draft and regulate the amount of air flowing out of the smoker flue.



Applications -

A draft diverter can be used on direct-vented smokers that are inside of a building, or installed through the wall of a building. The draft diverter will help maintain a constant draft and a stable air supply regardless of external conditions. A draft diverter will prevent air from blowing down the chimney in adverse conditions that will disturb the operation of the burner. It will also help cool the all-fuel chimney and prevent it from creating too much of a draft causing rapid removal of smoke from the unit.

Installation -

The draft diverter should be installed with the side openings at the bottom. The bottom ring on the diverter should slide inside of the rear flue of the smoker. The all fuel chimney should slide inside of the top ring of the diverter.

Additional Comments:

Secondary Distribution:

Service technicians within the Distributor's organization.
Service companies.

For Additional Information:

Southern Pride Technical Support: (800) 437-2679