

Products: Mobile Rack Pins and Clips

Serial Range: Applicable for rotisserie smokers with one-piece end product rack hangers that have a hole in the center of each product rack shelf.

Release Date:

Revision 1: SP-700 with 18" rack system added

Revision 2: Clip stock code for SP-700 with 18" rack system changed
Link to instructional video added

Mobile Rack Pins and Clips

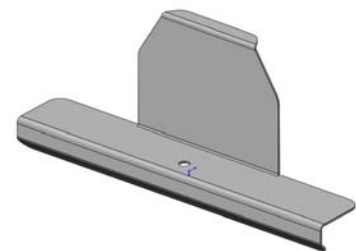
When rotisserie smokers are used in mobile applications, rack pins and clips are available to prevent the product rack hangers and product racks from coming loose during transit.

Stock Code and Quantity Required

Model	Pin Stock Code	Clip Stock Code	Quantity of Each Required
MLR-150 *	973005	973004	8
SPX-300	973003	973001	8
SPK-500	973003	973001	10
SP-700 (12" rack system)	973003	973001	12
SP-700 (18" rack system)	973002	973009	8
MLR-850	973006	973001	8
SPK-1000	973002	973001	8
SPK-1400 (12" rack system)	973006	973001	12
SPK-1400 (18" rack system)	973006	973001	10



Pin

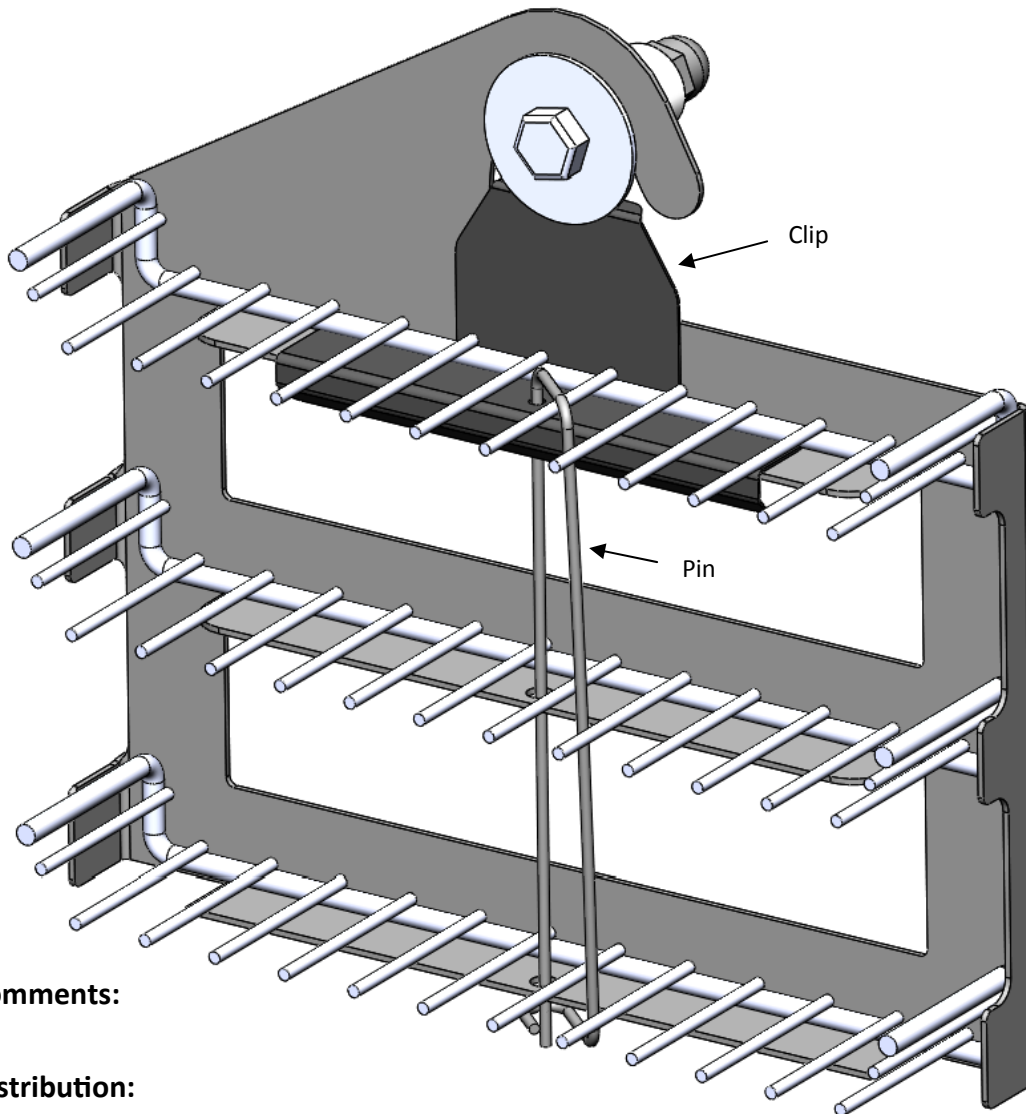


Clip

* Early MLR-150s used a different pin and clip. These smokers can be identified by having a slot toward the front of the product rack hanger for the rectangular pin instead of a hole in the middle.

Installation Instructions:

1. The product rack hanger should be on the rotisserie wheel with the top product rack removed.
2. Insert the clip on the middle of the top rack hanger so that the hole in the clip is inline with the hole in the product rack hanger. The vertical portion of the clip prevents the product rack hanger from coming off of the rotisserie wheel stub during transit.
3. Place the top product rack on the product rack hanger.
4. Insert the straight side of the pin through the holes in the product rack hanger shelves. The curved side of the pin should be on the inside of the product rack hanger and the straight and curved side should straddle a bar on each of the product racks.
5. Loop the end of the curved side around the straight side at the bottom of the pin.



Additional Comments:

Secondary Distribution:

Service technicians within the Distributor's organization.
Service companies.

For Additional Information:

Southern Pride Technical Support: (800) 437-2679

Instructional video: [YouTube.com/SouthernPrideBBQ](https://www.youtube.com/SouthernPrideBBQ)