

**Products:** 491033 - Relay Board Assembly for 120v Rotisserie Smokers with a Cook and Hold Control and a Mechanical Door Switch

**Serial Range:** N/A

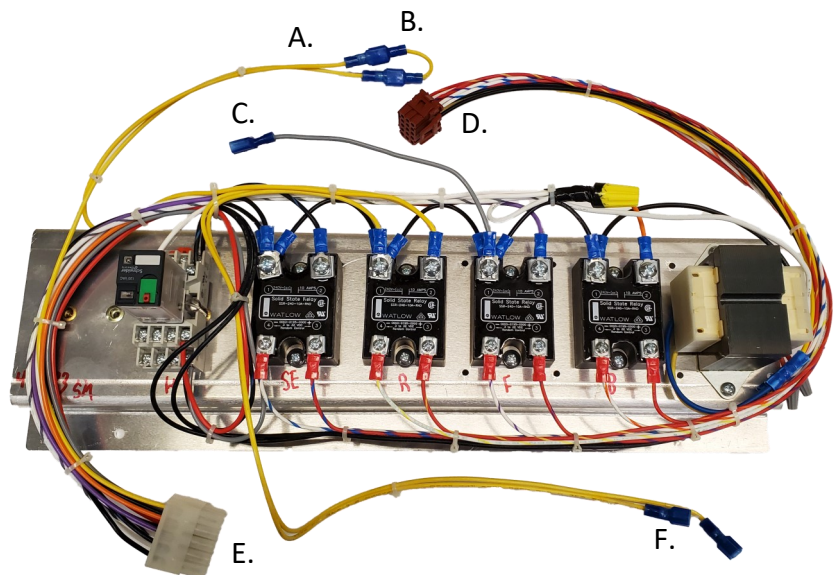
**Release Date:** September 1, 2016

**Revision 1:** Update picture  
Update procedures

### Relay Board Assembly:

This relay board will work with smokers equipped with a circuit breaker, or a shock relay, for overcurrent protection.

- A. Circuit Breaker Wires
- B. Jumper Wire
- C. Interior Light Wire
- D. Control Plug
- E. Wire Harness Plug
- F. Foot Switch Wires



For smokers equipped with a circuit breaker:

1. Remove the jumper wire from the circuit breaker wires.
2. Attach the circuit breaker wires to the prongs of the circuit breaker.

For smokers equipped with a shock relay:

1. Leave the jumper wire connecting the circuit breaker wires.

**Additional Comments:**

This relay board will work with smokers with, or without, an interior light. If the smoker has an interior light, attach the interior light wire to the grey wire on the relay board.

**Secondary Distribution:**

Service technicians within the Distributor's organization.

Service companies.

**For Additional Information:**

Southern Pride Technical Support: (800) 437-2679